

ELKAY[®]

SPECIFICATIONS

Elkay Specialty Collection™ Universal Mount Sinks Model SCF1611 Series

GENERAL

High quality single bowl sink is formed of #18 (1.2mm) gauge copper or type 304 (18-8) nickel bearing stainless steel material. Specialty Collection copper sinks are made from genuine solid, uncoated material and will naturally tarnish. Select models available with Statement feature. Universal mount sink can be installed as a topmount or undermount.

- SCF1611CH** copper with hammered mirror finish
- SCF1611CM** copper with mirror finish
- SCF1611CS** copper with satin finish
- SCF1611SH** stainless steel with hammered mirror finish
- SCF1611SM** stainless steel with mirror finish
- SCF1611SR** stainless steel with a rugged satin finish

DESIGN FEATURES

Bowl Depth: 6-1/2" (165mm).

Underside: Sound deadening pads on sides.

Fastening Method: For drop-in application, utilize clips and attach to threaded stud (see illustration "A" below). For undermount application, utilize undermount clips (see illustration "B" below) – fasteners are not supplied.

Stainless steel sinks comply with ASME A112.19.3-2008 / CSA B45.4-08.



Non-Statement sinks are listed by the International Association of Plumbing and Mechanical Officials as meeting the requirements of the Uniform Plumbing Code.

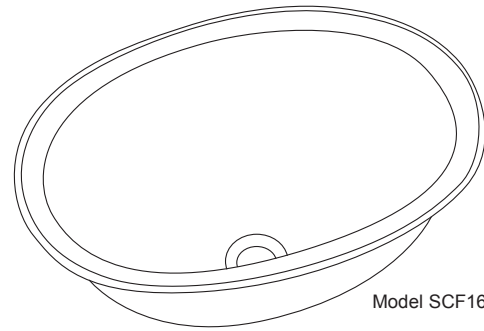
OTHER

Drain Opening: 1-1/2" (38mm).

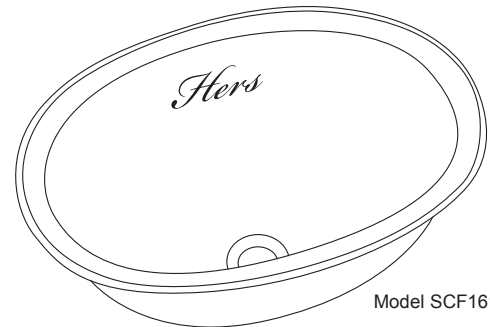
Sink includes overflow assembly with matching face plate.

OPTIONAL STATEMENT FEATURE

Part No. Suffix for Statement Option	Pattern Name	Pattern Graphic	Pattern Style & Location
HER	Hers	<i>Hers</i>	Patch – rear wall only
HIS	His	<i>His</i>	Patch – rear wall only
SEA	Seaside		Border – all around the sink bowls
GFT	Garland Bath		Border – all around the sink bowls
BAM	Bamboo		Entire inside bowl surface
BBL	Bubbles		Entire inside bowl surface



Model SCF1611



Model SCF1611HER

ILLUSTRATION A

Installation Profile for Drop-in Application

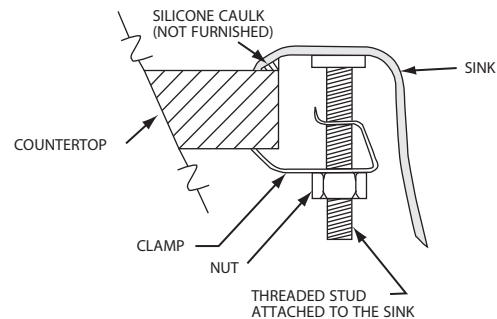
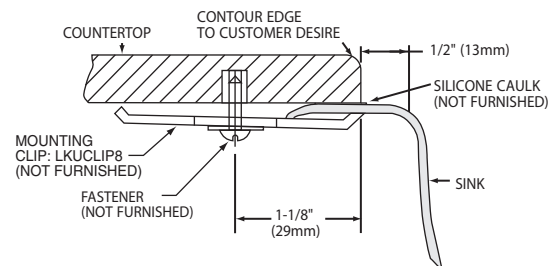


ILLUSTRATION B

Installation Profile for Undermount Application
The template provided with each sink provides the only type of undermount installation recommended by Elkay.



SEE OTHER SIDE FOR PRODUCT DIMENSIONS.

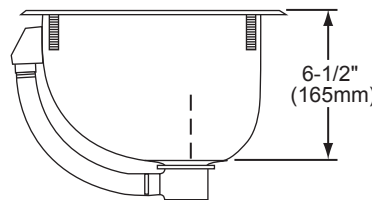
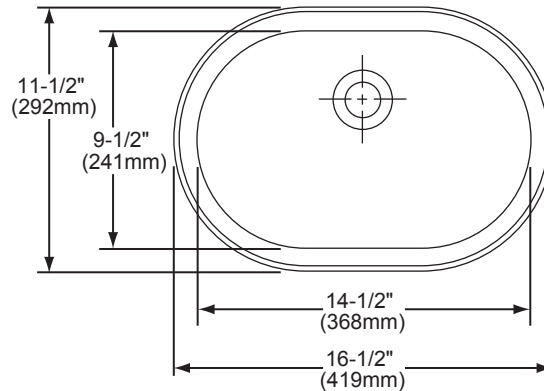
In keeping with our policy of continuing product improvement, Elkay reserves the right to change product specifications without notice. Please visit elkayusa.com for most current version of Elkay product specification sheets.

This specification describes an Elkay product with design, quality and functional benefits to the user. When making a comparison of other producers' offerings, be certain these features are not overlooked.

SINK DIMENSIONS*

Model Number	Overall		Inside Bowl			Cutout in Countertop	Minimum Cabinet Size
	L	W	L	W	D		
SCF1611CH	16½ (419mm)	11½ (292mm)	14½ (368mm)	9½ (241mm)	6½ (165mm)	See Template for undermount application. For drop-in application use sink upside down as template and cut 5/16" (8mm) INSIDE sink outline.	21 (533mm)
SCF1611CM	16½ (419mm)	11½ (292mm)	14½ (368mm)	9½ (241mm)	6½ (165mm)		21 (533mm)
SCF1611CS	16½ (419mm)	11½ (292mm)	14½ (368mm)	9½ (241mm)	6½ (165mm)		21 (533mm)
SCF1611SH	16½ (419mm)	11½ (292mm)	14½ (368mm)	9½ (241mm)	6½ (165mm)		21 (533mm)
SCF1611SM	16½ (419mm)	11½ (292mm)	14½ (368mm)	9½ (241mm)	6½ (165mm)		21 (533mm)
SCF1611SR	16½ (419mm)	11½ (292mm)	14½ (368mm)	9½ (241mm)	6½ (165mm)		21 (533mm)
SCF1611SM_ (Statement option)	16½ (419mm)	11½ (292mm)	14½ (368mm)	9½ (241mm)	6½ (165mm)		21 (533mm)

*Length is left to right. Width is front to back



Model SCF1611