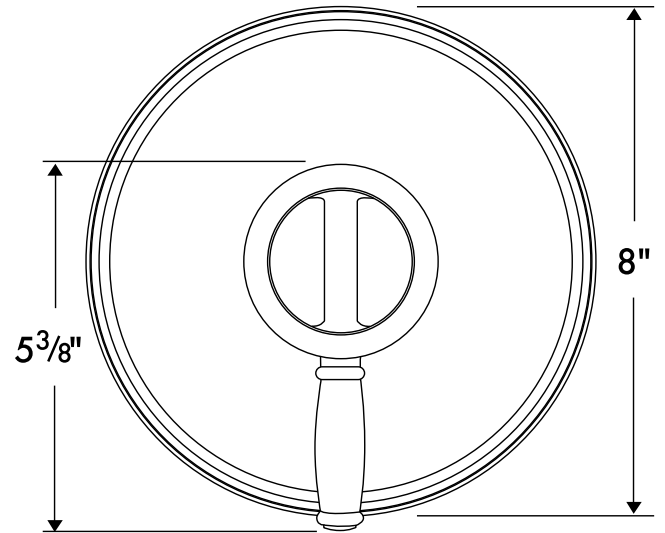


Retroaktiv Trim, ThermoBalance II

06064XX0

Available in Chrome (00), Oil Rub Bronze (62), Brushed Nickel (82), Polished Nickel (83), Polished Brass (93)



Product Specification

Lever handle

Thermostatic temperature control

Anti-scald, 100° safety stop

Independent temperature and volume control

Integral 2-way diverter

Max. flow rate 8 gpm @ 44 PSI

Requires one of the following rough valves

ThermoBalance II rough 06623000

ThermoBalance II rough with stops 06627000

hansgrohe