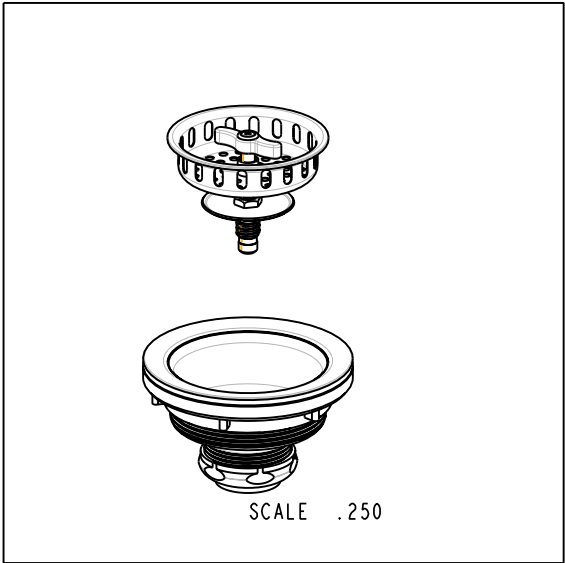


**BILL OF MATERIAL (CURRENT LEVEL)**

ITEM	PT/ASSY	DESCRIPTION	TYPE	QTY.
1	5-030	MTG HDWR KIT	ASSEMBLY	1
2	50076	SNAP RING-5/8" OD	PART	1
3	50077	POST NUT- BODY	PART	1
4	50078	BODY - WING TYPE	PART	1
5	50081	STRAINER - WING TYPE	PART	1
6	50082	POST - WING TYPE	PART	1
7	50083	STOPPER - WING TYPE	PART	1
8	50084	HEX NUT	PART	1
9	50085	WING NUT	PART	1
10	92036	SCREW- FLT HD M4 X .7 X 10mm	PART	1



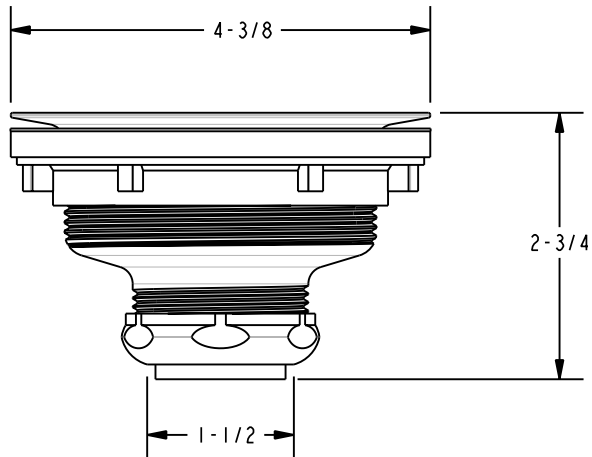
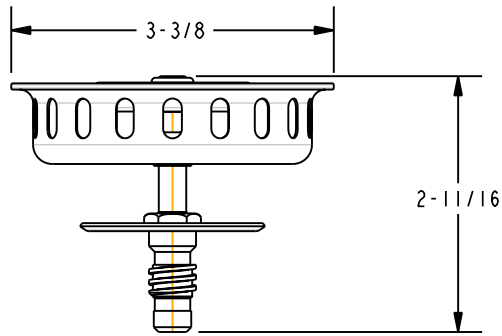
COPYRIGHT 2003 BRASSTECH, INC. THESE DRAWINGS AND THE DESIGNS DEPICTED HEREIN ARE THE PROPRIETARY PROPERTY OF BRASSTECH. ANY USE OR REPRODUCTION IS SUBJECT TO THE EXPRESS APPROVAL OF BRASSTECH. UNAUTHORIZED USE IS STRICTLY PROHIBITED. ALL RIGHTS RESERVED.

**BRASSTECH**  
INCORPORATED  
2001 E. CARNEGIE AVE.  
SANTA ANA, CA 92705  
(949) 417-5207

LARGE BASKET STRAINER

ASSY. NO.		120					
SCALE .225	REF. -	SHEET 1 OF 2	REV	REV DESC	DATE	RELEASED	PRE '95

**SPECIFICATION DWG**



DIMENSIONS ARE IN INCHES AND AN APPROXIMATION OF A TYPICAL INSTALLATION

COPYRIGHT 2004 BRASSTECH, INC. THESE DRAWINGS AND THE DESIGNS DEPICTED HEREIN ARE THE PROPRIETARY PROPERTY OF BRASSTECH. ANY USE OR REPRODUCTION IS SUBJECT TO THE EXPRESS APPROVAL OF BRASSTECH. UNAUTHORIZED USE IS STRICTLY PROHIBITED. ALL RIGHTS RESERVED.

<b>BRASSTECH</b>		2001 E. CARNEGIE AVE.	
INCORPORATED		SANTA ANA, CA 92705	
		(949) 417-5207	
DWG NO.	120	REV	-
SCALE	.500	REF.	-
		SHEET	2 OF 2