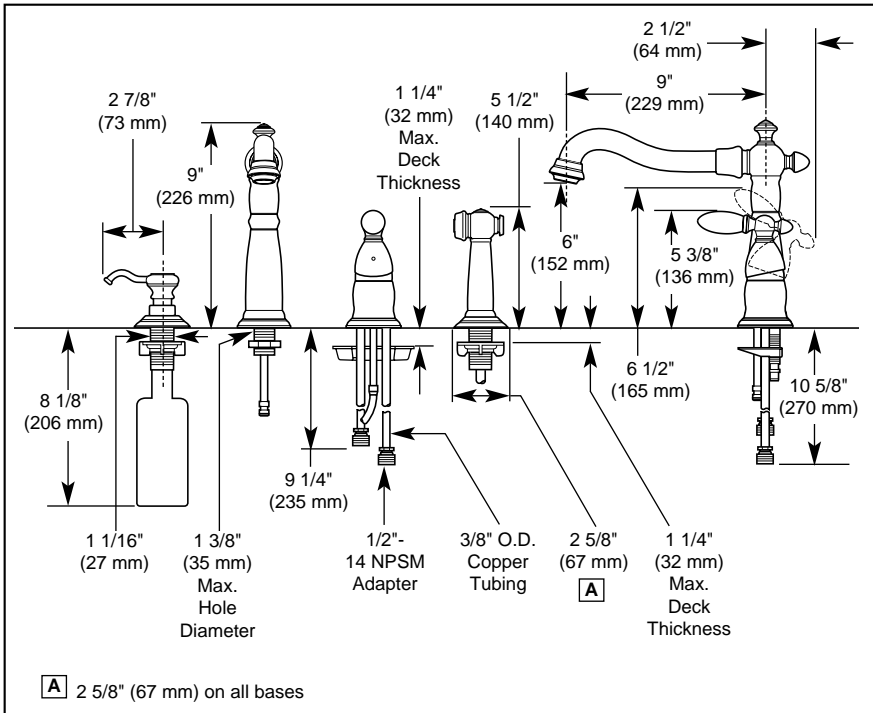


Submitted Model No.: _____
 Specific Features: _____



KITCHEN FAUCETS

- Victorian® Series
- Single Handle Widespread Deck Mount
- 3 and 4 Hole Sink Applications
- Quick Snap® Hose Installation

STANDARD SPECIFICATIONS:

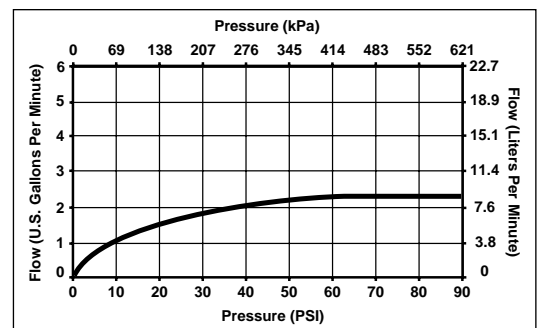
- Solid brass fabricated body.
- 9" (229 mm) long, spout swings 360°.
- Lever handle. Control mechanism shall be of the rotating stainless steel ball type with replaceable non-metallic seats operating in stainless steel lined sockets.
- Models 157 & 158 series with porcelain lever handle.
- Control handle shall return to neutral position when valve is turned off.
- Spray attachment has anti-siphon device as integral part of valve body.
- Quick Snap® hose installation.
- Vegetable sprayer with matching finish sprayhead - 45" (1143mm) long hose.
- 3/8" O.D. straight, staggered cover tube inlets - 9 1/4" (235mm) and 10 5/8" (270mm) long with 1/2"-14 NPSM adapters.
- Standard mounting deck thickness 1 1/4" can be extended 1" with RP37776 thick tile mounting kit.

WARRANTY

- Lifetime Faucet and Finish Limited Warranty to the original consumer purchaser to be free from defects in material and workmanship.
- 5 Year Limited Warranty for usage in all industrial, commercial and business applications.

COMPLIES WITH:

- NSF 61
- ASME A112.18.1 / CSA B125.1
- ♿ Indicates ADA compliance to ICC/ANSI A117.1
- IAPMO Listed
- CSA Certified



Delta reserves the right (1) to make changes in specifications and materials, and (2) to change or discontinue models, both without notice or obligation. Dimensions are for reference only. See full-line price book for finish options and product availability.



Indianapolis, Indiana 46280
 A Division of Masco Corporation of Indiana
 © 2006 Masco Corporation of Indiana