

FEATURED MODEL

157-085-CR Medallion Kitchen Faucet in Polished Chrome

ADDITIONAL MODELS

- 157-085-ST Stainless (Satin Nickel)
- 157-085-AC Antique Copper
- 157-085-AP Antique Pewter
- 157-085-AB Antique Bronze

FEATURES

- Solid brass body
- Ceramic disc cartridge
- Color coded hot & cold supply lines
- Reversible mounting hardware adapts to thick or thin mounting surfaces
- 2.2 G.P.M. flow rate
- Installation in a 1-3/8" hole

CODE/STANDARDS COMPLIANCE

ASME A112.18.1M-2003

IAPMO Listed

WARRANTY

Blanco America's Blanco-Mix kitchen faucets feature a "NO HASSLE" LIMITED LIFETIME WARRANTY to be free of all manufacturing defects under normal use. See our complete warranty for details.

While Blanco America endeavors to provide accurate information, all dimensions are nominal, cannot be guaranteed, and are subject to change or cancellation. Blanco America assumes no responsibility for use of superseded or voided specifications.

PRODUCT SPECIFICATION

Kitchen faucet to include traditional lever handles and high-arc decorative spout with solid brass body and ceramic disc cartridge. Faucet dimensions to be as follows: Reach: 10"; Spout Height: 10-1/2". Hot and cold supply lines to be color coded. Reversible mounting hardware to adapt to thick or thin mounting surfaces. Kitchen faucet to be Blanco MEDALLION, Model 157-085-_____in _____finish.

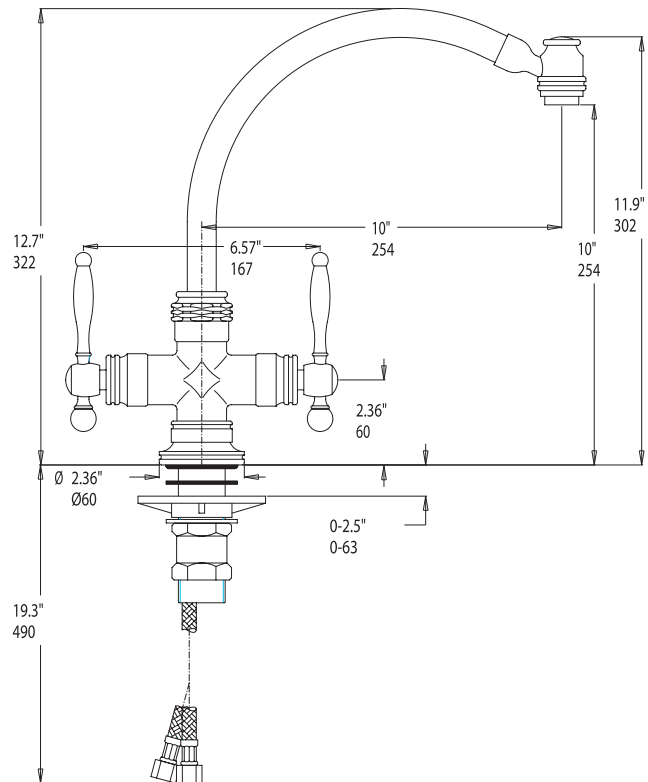
- Polished Chrome 157-085-CR
- Stainless (Satin Nickel) 157-085-ST
- Antique Copper 157-085-AC
- Antique Pewter 157-085-AP
- Antique Bronze 157-085-AB



MODEL 157-085

NOMINAL DIMENSIONS

MODEL	REACH	SPOUT HEIGHT	FAUCET HEIGHT
157-085	10	10-1/2	13



See next page for exploded parts drawing and parts list.

JOB INFORMATION

Job Name: _____

Contact: _____

Date Specified: _____

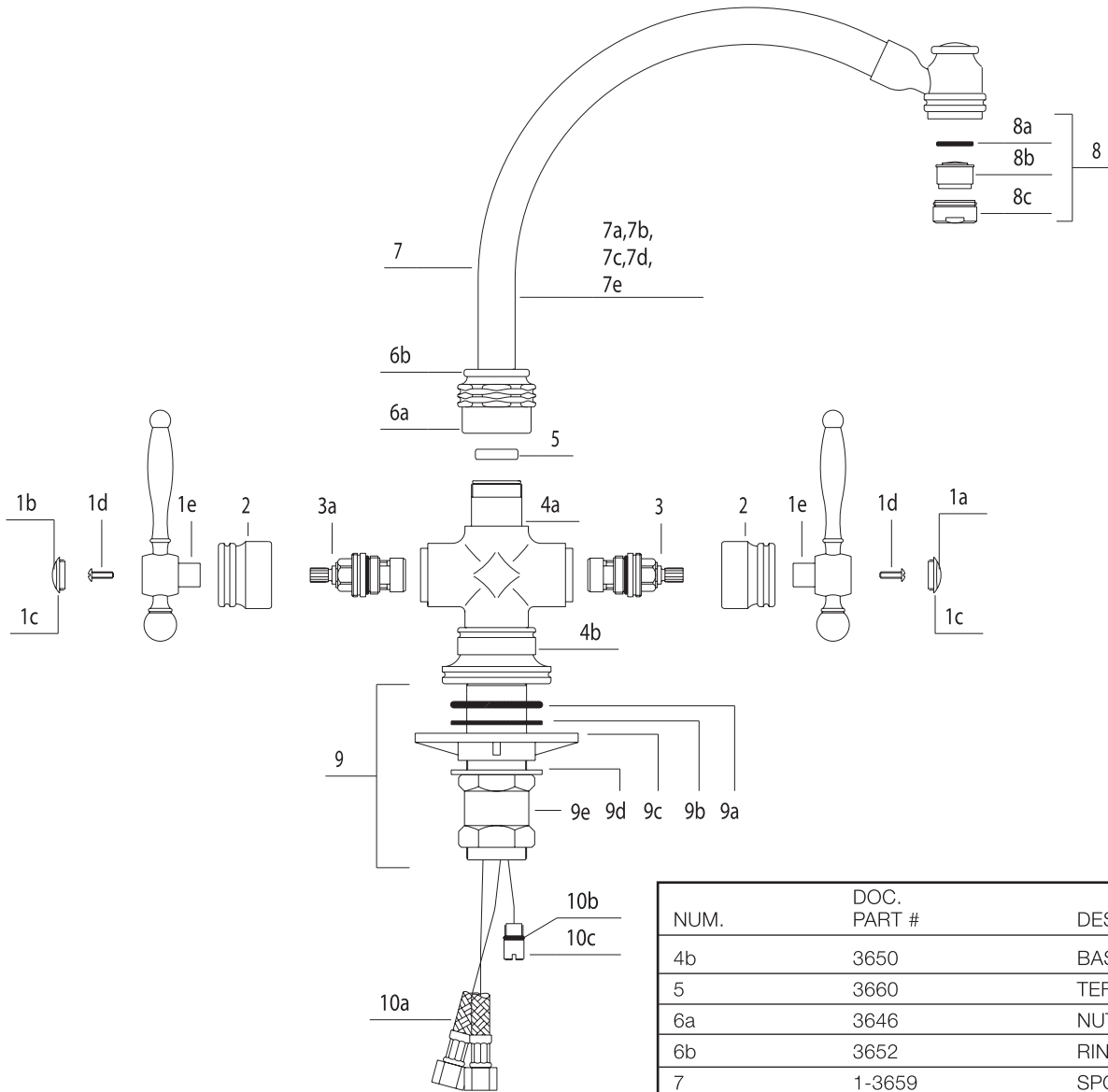
Specifier: _____

Contractor: _____

BLANCO AMERICA
800.451.5782
www.blancoamerica.com

BLANCO-MIX MEDALLION

MODEL 157-085



NUM.	DOC. PART #	DESCRIPTION
1a	305	BUTTON
1b	304	BUTTON
1c	306	BUTTON BASE
1d	2312	SCREW
1e	1-3648	LEVER ASSY
2	3647	COVER
3	3614	HEAD WORK ASSY RIGHT
3a	3615	HEAD WORK ASSY LEFT
4a	3632	BODY

NUM.	DOC. PART #	DESCRIPTION
4b	3650	BASE
5	3660	TEFLON RING
6a	3646	NUT
6b	3652	RING
7	1-3659	SPOUT ASSY
8	1-676	AERATOR SET
8a		RUBBER WASHER
8b		SCREEN
8c		AERATOR RING
9	1-2359	MOUNTING NUT ASSY
9a	3.53X42.86	O'RING
9b	48X34X2	RUBBER WASHER
9c	3109	PLASTIC BASE
9d	2258	METAL WASHER
9e	2359	NUT
10a	2350	HOSE
10b	1.78X7.94	O-RING
10c	3161	PLUG