

#### FEATURED MODEL

**157-087-CR** Rados Bar Faucet in Polished Chrome

#### ADDITIONAL MODELS

157-087-ST Stainless (Satin Nickel)

#### FEATURES

- Solid brass body
- Ceramic disc cartridge
- Color coded hot & cold supply lines
- Reversible mounting hardware adapts to thick or thin mounting surfaces
- 2.2 G.P.M. flow rate
- Installation in a 1-3/8" hole

#### CODE/STANDARDS COMPLIANCE

ASME A112.18.1M-2003

IAPMO Listed

#### WARRANTY

Blanco America's Blanco-Mix bar faucets feature a "NO HASSLE" LIMITED LIFETIME WARRANTY to be free of all manufacturing defects under normal use. See our complete warranty for details.

While Blanco America endeavors to provide accurate information, all dimensions are nominal, cannot be guaranteed, and are subject to change or cancellation. Blanco America assumes no responsibility for use of superseded or voided specifications.

#### PRODUCT SPECIFICATION

Bar faucet to include lever handle with solid brass body and ceramic disc cartridge. Faucet dimensions to be as follows: Reach: 7"; Spout Height: 9-1/2". Hot and cold supply lines to be color coded. Reversible mounting hardware to adapt to thick or thin mounting surfaces. Bar faucet to be Blanco RADOS, Model 157-087-\_\_\_\_\_in \_\_\_\_\_finish.

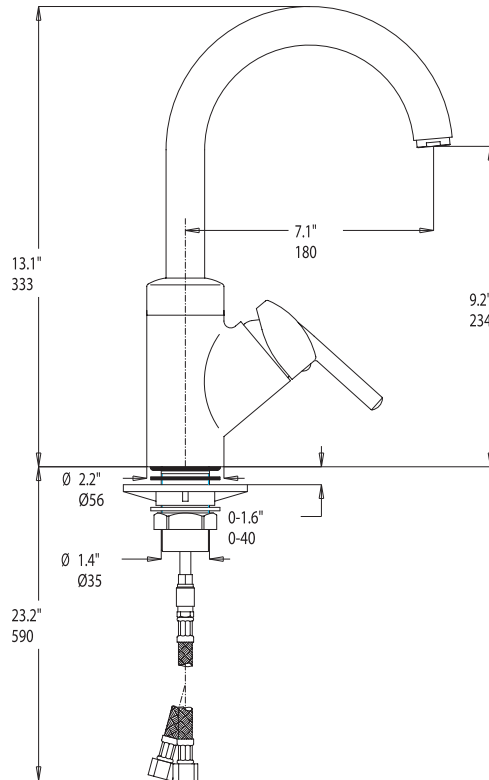
- Polished Chrome 157-087-CR
- Stainless (Satin Nickel) 157-087-ST



MODEL 157-087

#### NOMINAL DIMENSIONS

MODEL	REACH	SPOUT HEIGHT	FAUCET HEIGHT
157-087	7	9-1/2	13-1/8



See next page for exploded parts drawing and parts list.

#### JOB INFORMATION

Job Name: \_\_\_\_\_

Contact: \_\_\_\_\_

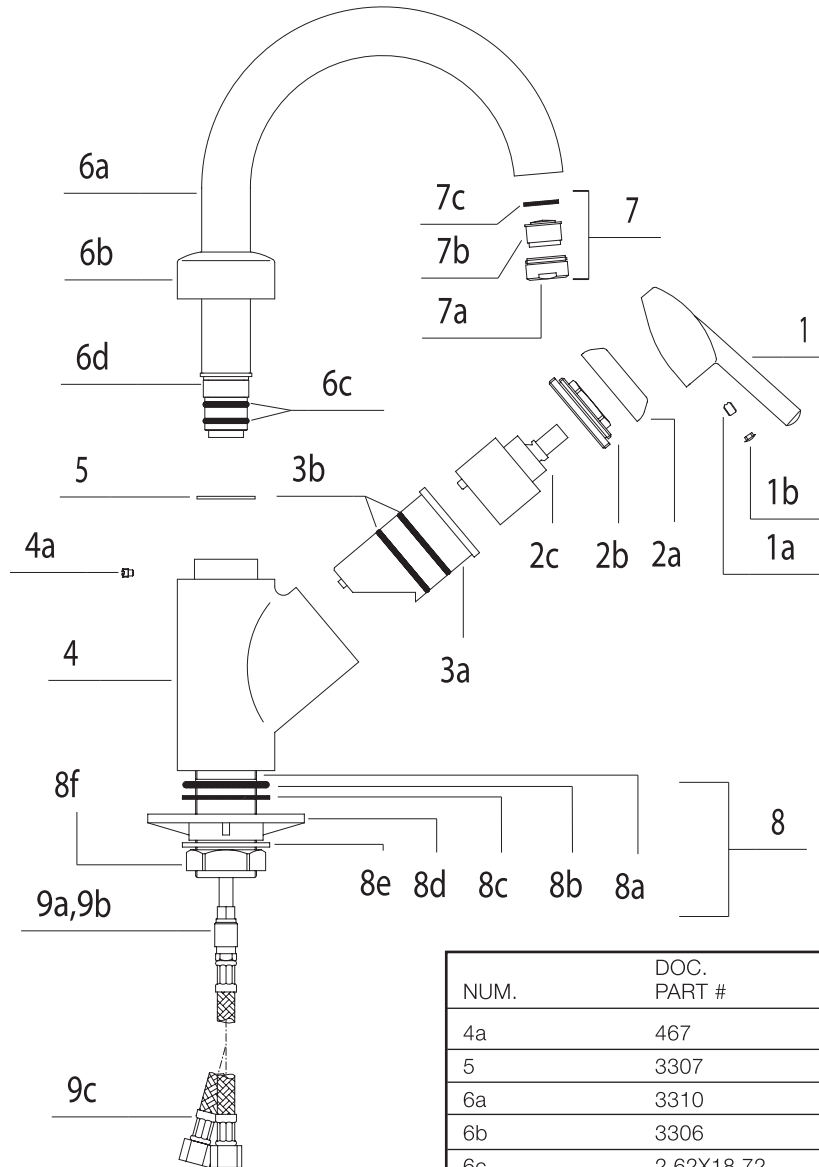
Date Specified: \_\_\_\_\_

Specifier: \_\_\_\_\_

Contractor: \_\_\_\_\_

**BLANCO AMERICA**  
**800.451.5782**  
**www.blancoamerica.com**

### BLANCO-MIX RADOS MODEL 157-087



NUM.	DOC. PART #	DESCRIPTION
1	3312	LEVER
1a	2058	SCREW
1b	1270	BUTTON
2a	3303	CAP
2b	3311	NUT
2c	2408	CARTRIDGE
3a	3314	INSERT
3b	2.62X39.34	O'RING
4	3315	BODY

NUM.	DOC. PART #	DESCRIPTION
4a	467	SCREW
5	3307	TEFLON RING
6a	3310	SPOUT
6b	3306	CAP
6c	2.62X18.72	O'RING
6d	2623	TEFLON RING
7	1-676	AERATOR SET
8	1-3333	MOUNTING NUT ASSY
8a	3304	MOUNTING SLEEVE
8b	3.53X42.86	O'RING
8c	48X38X2	RUBBER WASHER
8d	3109	PLASTIC BASE
8e	2258	METAL WASHER
8f	3333	NUT
9a	3326	EXTENSION OUTLET
9b	1.78X7.94	O'RING
9c	2350	HOSE