

FEATURED MODEL

157-097-CR, ANTH Purus I Faucet in Chrome/Anthracite combination

ADDITIONAL MODELS

157-097-CR Polished Chrome
157-097-ST Stainless (Satin Nickel)

FEATURES

- Solid brass body
- Ceramic disc cartridge
- Extra long supply lines
- 2.2 G.P.M. flow rate
- Installation in a 1-3/8" hole

CODE/STANDARDS COMPLIANCE

ASME A112.18.1M-2003
IAPMO Listed

WARRANTY

Blanco America's Blanco-Mix kitchen faucets feature a "NO HASSLE" LIMITED LIFETIME WARRANTY to be free of all manufacturing defects under normal use. See our complete warranty for details.

While Blanco America endeavors to provide accurate information, all dimensions are nominal, cannot be guaranteed, and are subject to change or cancellation. Blanco America assumes no responsibility for use of superseded or voided specifications.

PRODUCT SPECIFICATION

Kitchen faucet to include solid brass body, minimalist lever handle, and ceramic disc cartridge. Faucet dimensions to be as follows: Reach: 10"; Spout Height: 9-1/2". Reversible mounting hardware to adapt to thick or thin mounting surfaces. Kitchen faucet to be Blanco PURUS I, Model 157-097-_____ in _____ finish.

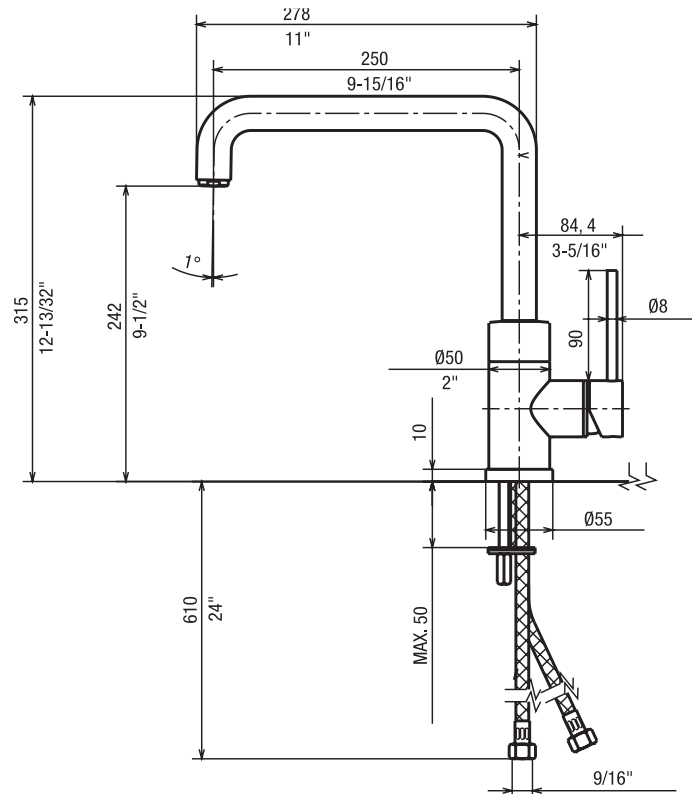
- Chrome/Anthracite Combination 157-097-CR, ANTH
- Polished Chrome 157-097-CR
- Stainless (Satin Nickel) 157-097-ST



MODEL 157-097

NOMINAL DIMENSIONS

MODEL	REACH	SPOUT HEIGHT	FAUCET HEIGHT
157-097	10	9-1/2	12-3/8



See next page for exploded parts drawing and parts list.

JOB INFORMATION

Job Name: _____

Contact: _____

Date Specified: _____

Specifier: _____

Contractor: _____

BLANCO AMERICA
800.451.5782
www.blancoamerica.com

BLANCO-MIX PURUS I MODEL 157-097

