

FEATURED MODEL

157-075R-CR BLANCOELAN II™ Kitchen Faucet in Polished Chrome

ADDITIONAL MODELS

157-075R-BL Black
157-075R-BT Biscuit
157-075R-ST Stainless (Satin Nickel)
157-075R-WH White

FEATURES

- Solid brass body
- Ceramic disc cartridge
- Color coded hot & cold supply lines
- Durable spiral flexible pullout spray hose
- Reversible mounting hardware adapts to thick or thin mounting surfaces
- 2.2 G.P.M. flow rate
- Installation in a 1-3/8" hole

CODE/STANDARDS COMPLIANCE

ASME A112.18.1-2005

IAPMO Listed

WARRANTY

Blanco America's Kitchen faucets feature a "NO HASSLE" LIMITED LIFETIME WARRANTY to be free of all manufacturing defects under normal use. See our complete warranty for details.

While Blanco America endeavors to provide accurate information, all dimensions are nominal, cannot be guaranteed, and are subject to change or cancellation. Blanco America assumes no responsibility for use of superseded or voided specifications.

PRODUCT SPECIFICATION

Kitchen faucet to include lever handle and pull-out spray, with solid brass body and ceramic disc cartridge. Faucet dimensions to be as follows: Reach: 10"; Spout Height: 5-1/2". Hot and cold supply lines to be color coded. Reversible mounting hardware to adapt to thick or thin mounting surfaces. Kitchen faucet to be BLANCOELAN II™, Model 157-075R-_____ in _____ finish.

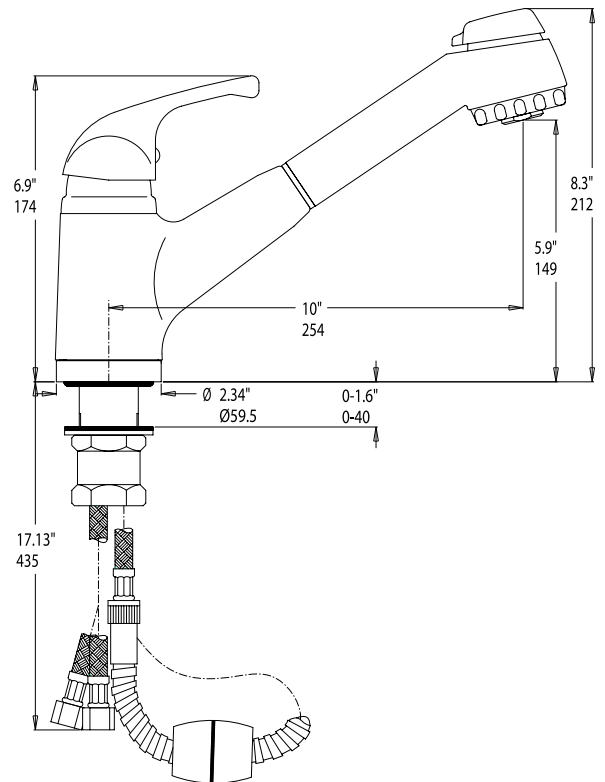
- Polished Chrome 157-075R-CR
- Black 157-075R-BL
- Biscuit 157-075R-BT
- Stainless (Satin Nickel) 157-075R-ST
- White 157-075R-WH



MODEL 157-075R

NOMINAL DIMENSIONS

| MODEL | REACH | SPOUT HEIGHT | FAUCET HEIGHT |
|----------|-------|--------------|---------------|
| 157-075R | 10 | 5-1/2 | 7-1/4 |



See next page for exploded parts drawing and parts list.

JOB INFORMATION

Job Name: _____

Contact: _____

Date Specified: _____

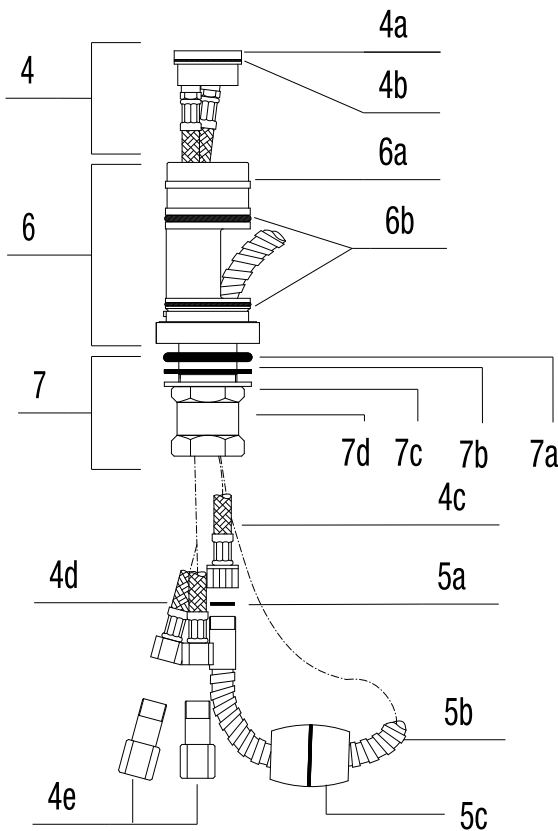
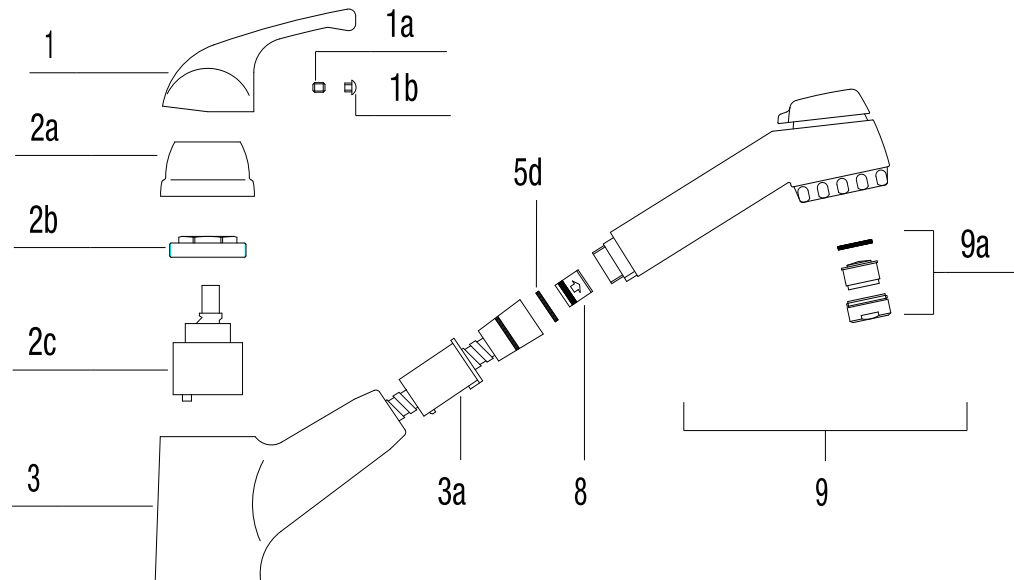
Specifier: _____

Contractor: _____

BLANCO AMERICA
800.451.5782
www.blancoamerica.com

BLANCOELAN II™

MODEL 157-075R



| NUM. | DOC. PART # | DESCRIPTION |
|------|-------------|--------------------|
| 2a | 2336 | CAP |
| 2b | 2449 | NUT |
| 2c | 2408 | CARTRIDGE |
| 3 | 2461 | BODY |
| 3a | 2866 | PLASTIC INSERT |
| 4 | 1-3199/A | INSERT ASSY |
| 4a | 3199/A | INSERT W/V.BREAKER |
| 4b | 1.00X32.00 | O'RING |
| 4c | 2360 | SUPPLY TUBE |
| 4d | 2350 | HOSE |
| 4e | 1-3197 | CHECK VALVE |
| 5a | 13.7X10X1.5 | FIBER |
| 5b | 2266 | HOSE |
| 5c | 2582 | WEIGHT |
| 5d | 20X12X2.5 | RUBBER WASHER |
| 6 | 1-2864/A | INNER BODY ASSY |
| 6a | 2864/A | INNER BODY |
| 6b | 3.53X42.86 | O'RING |
| 7 | 1-2359 | MOUNTING NUT ASSY |
| 7a | 3.53X42.86 | O'RING |
| 7b | 48X34X2 | RUBBER WASHER |
| 7d | 2258 | METAL WASHER |
| 7e | 2359 | NUT |
| 8 | 2430 | FLOW R.W/CHECK V |
| 9 | 1494 | PULL OUT SPRAY |
| 9a | 1-680 | AERATOR SET |

| NUM. | DOC. PART # | DESCRIPTION |
|------|-------------|-------------|
| 1 | 2920 | LEVER |
| 1a | 2058 | SCREW |
| 1b | 2921 | BUTTON |