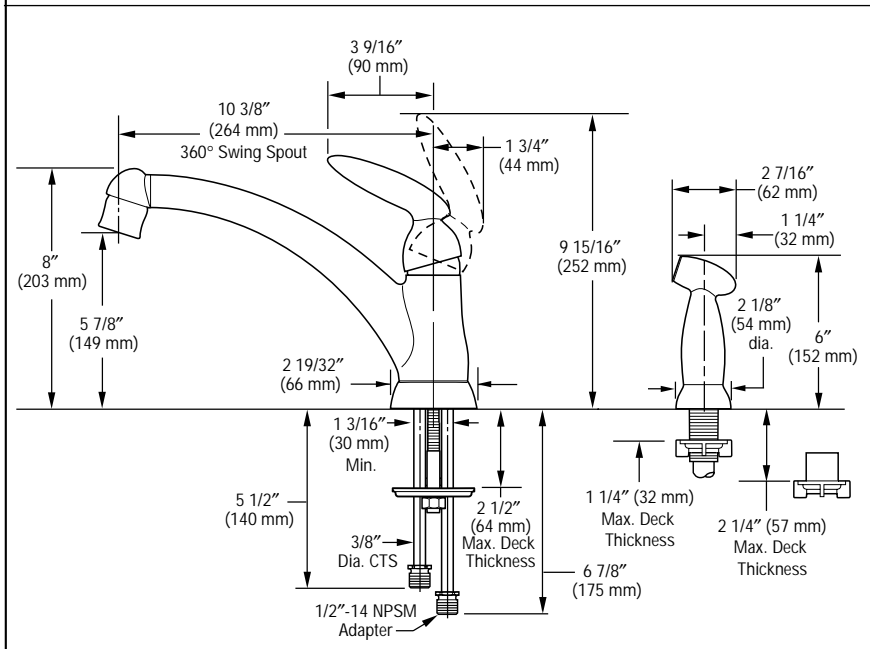
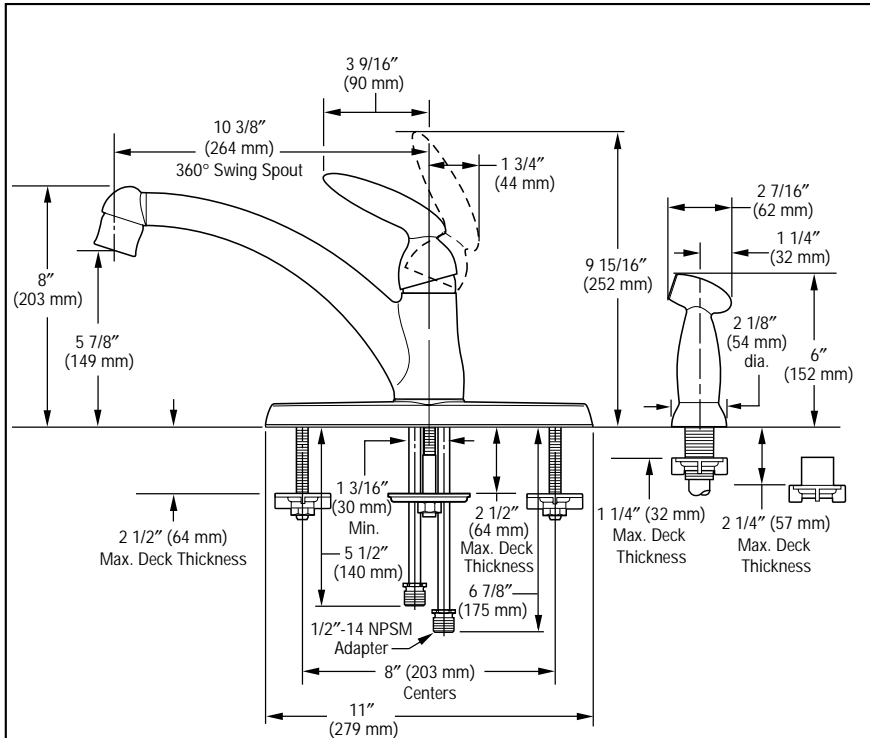


# KITCHEN FAUCETS

- The Michael Graves Collection™
- Single Handle Deck Mount
- 1, 2, 3 and 4 Hole Sink Applications
- Quick Snap® Vegetable Sprayer Hose Installation on Model 488

Submitted Model No.: \_\_\_\_\_

Specific Features: \_\_\_\_\_



## STANDARD SPECIFICATIONS:

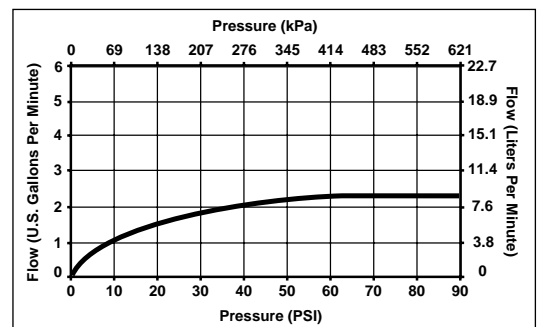
- Solid brass fabricated body.
- Centermount or 8" (203 mm) centers with optional included 11" (279 mm) long escutcheon.
- 10 3/8" (264 mm) long spout swings 360°.
- Lever handle. Control mechanism shall be of the rotating stainless steel ball type with replaceable non-metallic seats operating in stainless steel lined sockets.
- Red/blue graphics on handle button to indicate hot/cold temperature.
- Control handle shall return to neutral position when valve is turned off.
- Model 488 with spray attachment has anti-siphon device as integral part of valve body.
- Dual function, swivel head aerator.
- Model 188 and 488 series can be field converted from 8" to 6" centers.
- Quick Snap® vegetable sprayer hose with matching finish sprayhead on model 488 - 45" (1143mm) long hose.
- 3/8" O.D. straight, staggered copper tube inlets - 5 1/2" (140mm) & 6 7/8" (175mm) long with 1/2"-14 NPSM adapters.

## WARRANTY

- Lifetime Faucet and Finish Limited Warranty to the original consumer purchaser to be free from defects in material and workmanship.
- 5 Year Limited Warranty for usage in all industrial, commercial and business applications.

## COMPLIES WITH:

- ASME A112.18.1 / CSA B125.1
- Indicates ADA compliance to ICC/ANSI A117.1
- IAPMO Listed
- CSA Certified
- Complies with NSF61 Section 9



Indianapolis, Indiana 46280  
 A Division of Masco Corporation of Indiana  
 © 2006 Masco Corporation of Indiana

Delta reserves the right (1) to make changes in specifications and materials, and (2) to change or discontinue models, both without notice or obligation. Dimensions are for reference only. See current full-line price book for finish options and product availability.