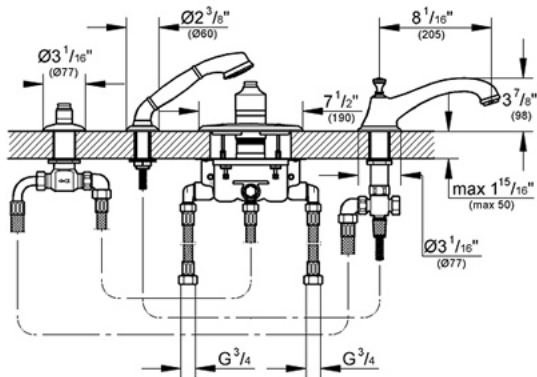


## 19 045 Thermostatic Roman Tub Filler



### Description

-DISCONTINUED PRODUCT-

Use as parts reference only

### Flow Rate

8 gpm at 45 psi (thermostat valve)  
2.5 gpm at 80 psi (hand shower)

### Code Compliance

ASME/ANSI A112.18.1M  
ASSE Standard 1016

### Finish Options

19 045 OOO Starlight® Chrome  
19 045 ROO Infinity Polished Brass  
19 045 AVO Infinity Satin Nickel  
19 045 RRO Velour Chrome  
19 045 BEO Sterling Infinity Finish  
19 045 ENO Infinity Brushed Nickel  
19 045 ZBO Oil Rubbed Bronze