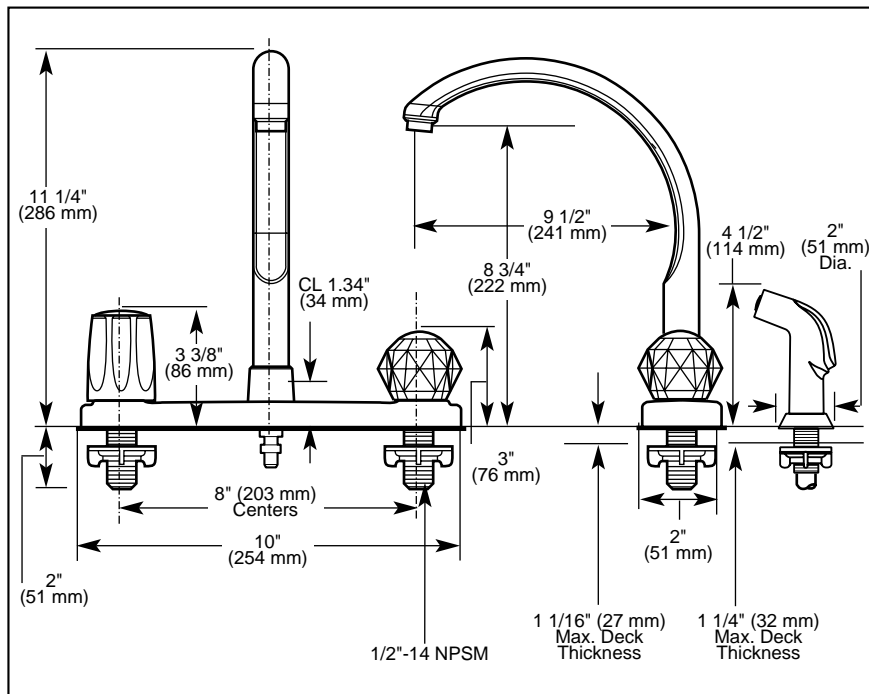


Submitted Model No.: _____

Specific Features: _____



KITCHEN FAUCETS

- Waterfall® Series
- Two Handle Deck Mount
- 3 and 4 Hole Sink Applications

STANDARD SPECIFICATIONS:

- Solid brass fabricated body.
- 8" (203 mm) centers.
- 9 1/2" (241 mm) long, 11 1/4" (286 mm) high spout swings 360°.
- Hot and cold stems are interchangeable.
- Control mechanism shall be of the rotating cylinder type with stainless steel plate and 180° rotation, with replaceable non-metallic seats operating in stainless steel lined sockets.
- 1/2"-14 NPSM threaded male inlet shanks.
- Models 2474, 2476 and 2476-LHP Series with spray attachment have anti-siphon device as integral part of valve body.
- Quick Snap® vegetable sprayer hose installation on models 2474, 2476, and 2476-LHP series.

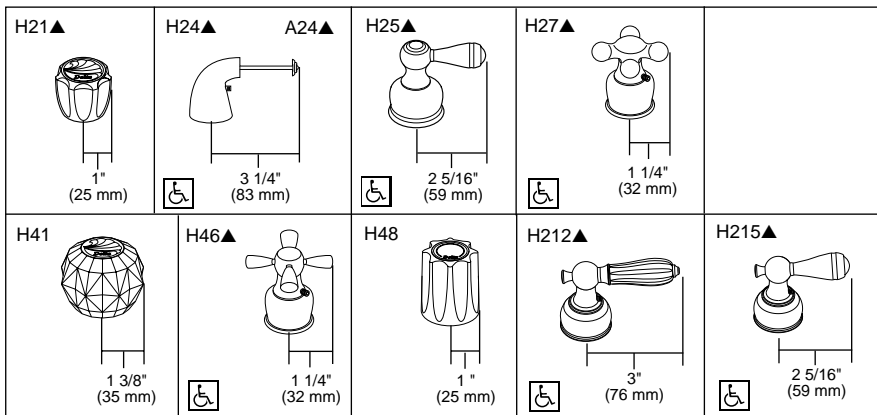
WARRANTY

- Lifetime Faucet and Finish Limited Warranty to the original consumer purchaser to be free from defects in material and workmanship.
- 5 Year Limited Warranty for usage in all industrial, commercial and business applications.

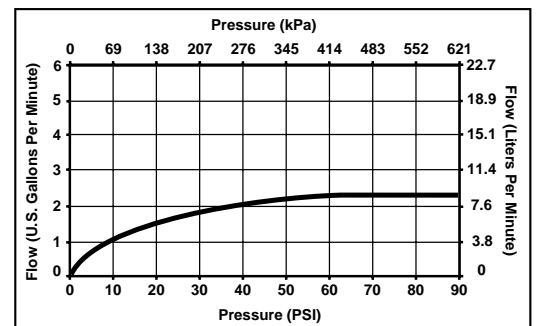
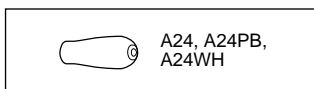
COMPLIES WITH:

- ASME A112.18.1 / CSA B125.1
- Indicates ADA compliance to ICC/ANSI A117.1
- IAPMO Listed
- CSA Certified

Available LHP Handle Options ▲ Specify Finish



Available LHP Handle Accent Options



Delta reserves the right (1) to make changes in specifications and materials, and (2) to change or discontinue models, both without notice or obligation. Dimensions are for reference only. See current full-line price book for finish options and product availability.



Indianapolis, Indiana 46280
A Division of Masco Corporation of Indiana
© 2006 Masco Corporation of Indiana