

DESCRIPTION

- Metal construction with chrome plated finish
- 1/2" IPS connections
- Includes head, arm, flange and diverter tub spout

OPERATION

- Acrylic knob style handles with hot and cold color indicators
- Volume and temperature controlled by rotating either handle counterclockwise to open and clockwise to close

FLOW

- Showerhead is limited to 2.5 gpm (9.5 L/min) max.

CARTRIDGE

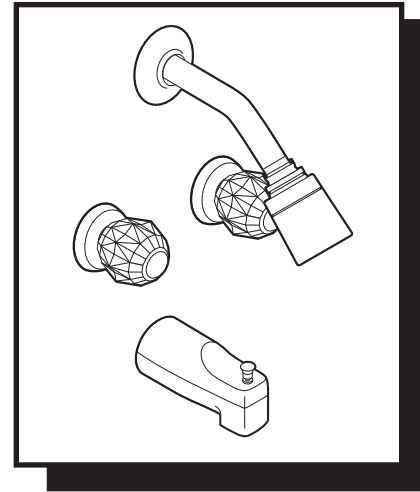
- 1224 cartridge design
- Nonmetallic and stainless steel materials
- Accommodates either up or down feed installations

STANDARDS

- Third party certified by CSA to meet CSA B-125 and ASME A112.18.1M and all applicable requirements referenced therein

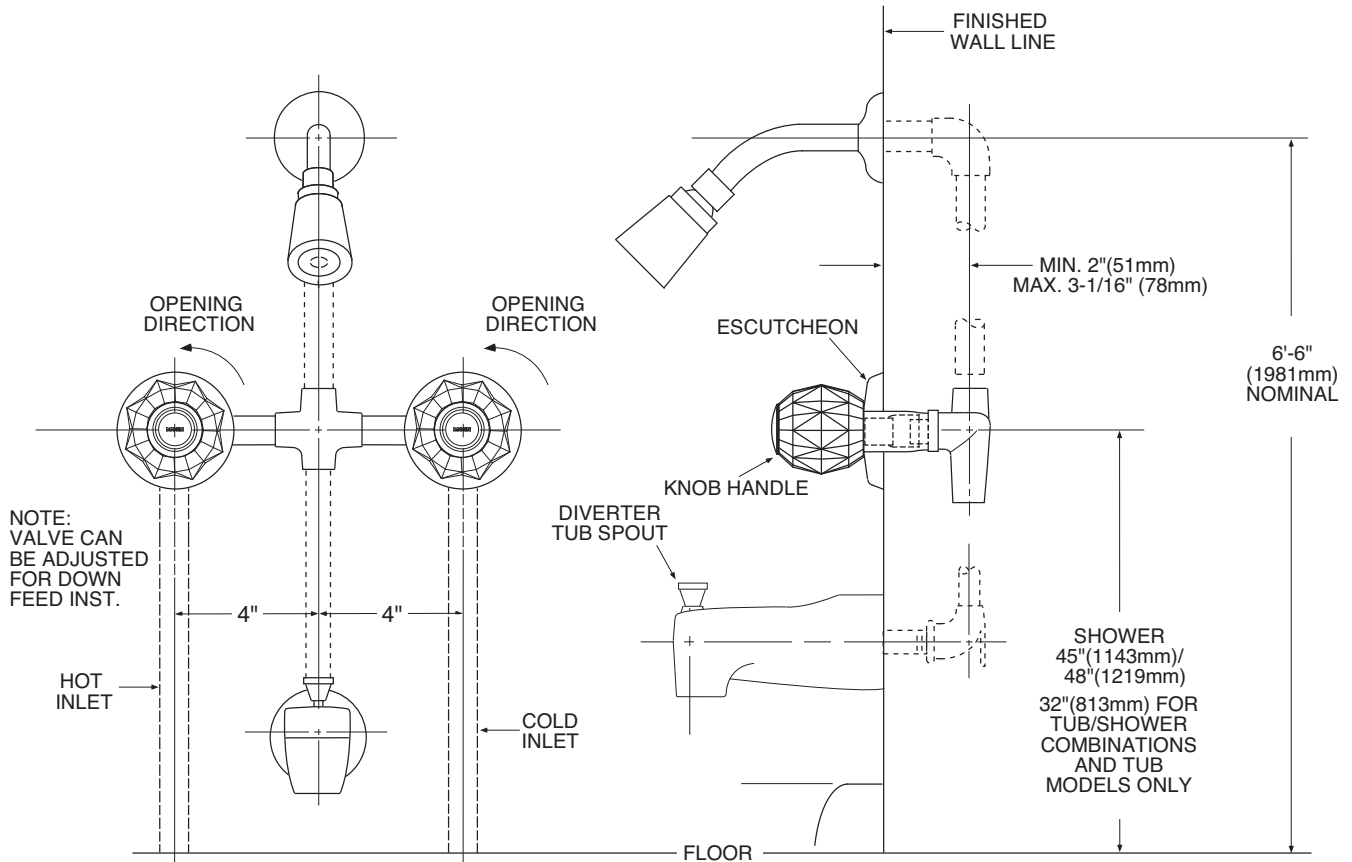
WARRANTY

- Lifetime limited warranty against leaks, drips and finish defects to the original consumer purchaser
- 5 year warranty if used in commercial installations



CHATEAU® Two-Handle Tub/Shower Valve and Trim

Model: 2919



CRITICAL DIMENSIONS

(DO NOT SCALE)

DESCRIPTION

- Chrome plated metal construction
- 1/2" IPS connections
- Includes head, arm, flange and diverter tub spout

OPERATION

- Dual control
- Acrylic knob style handles
- Volume and temperature controlled by rotating either handle counterclockwise to open and clockwise to close

FLOW

- Showerhead is limited to 2.5 gpm (9.5 L/min) max.

CARTRIDGE

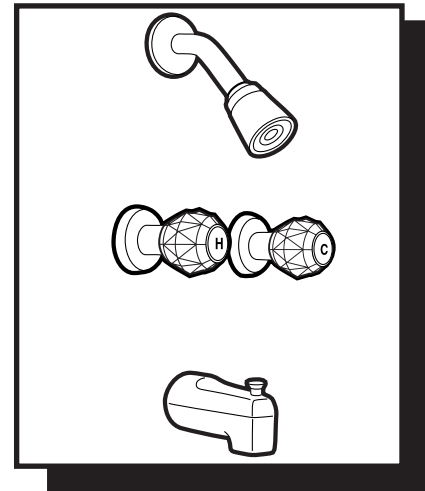
- 1224 cartridge design
- Nonmetallic and stainless steel materials
- Accommodates either up or down feed installations

STANDARDS

- Third party certified by CSA to meet CSA B-125 and ASME A112.18.1M and all applicable requirements referenced therein

WARRANTY

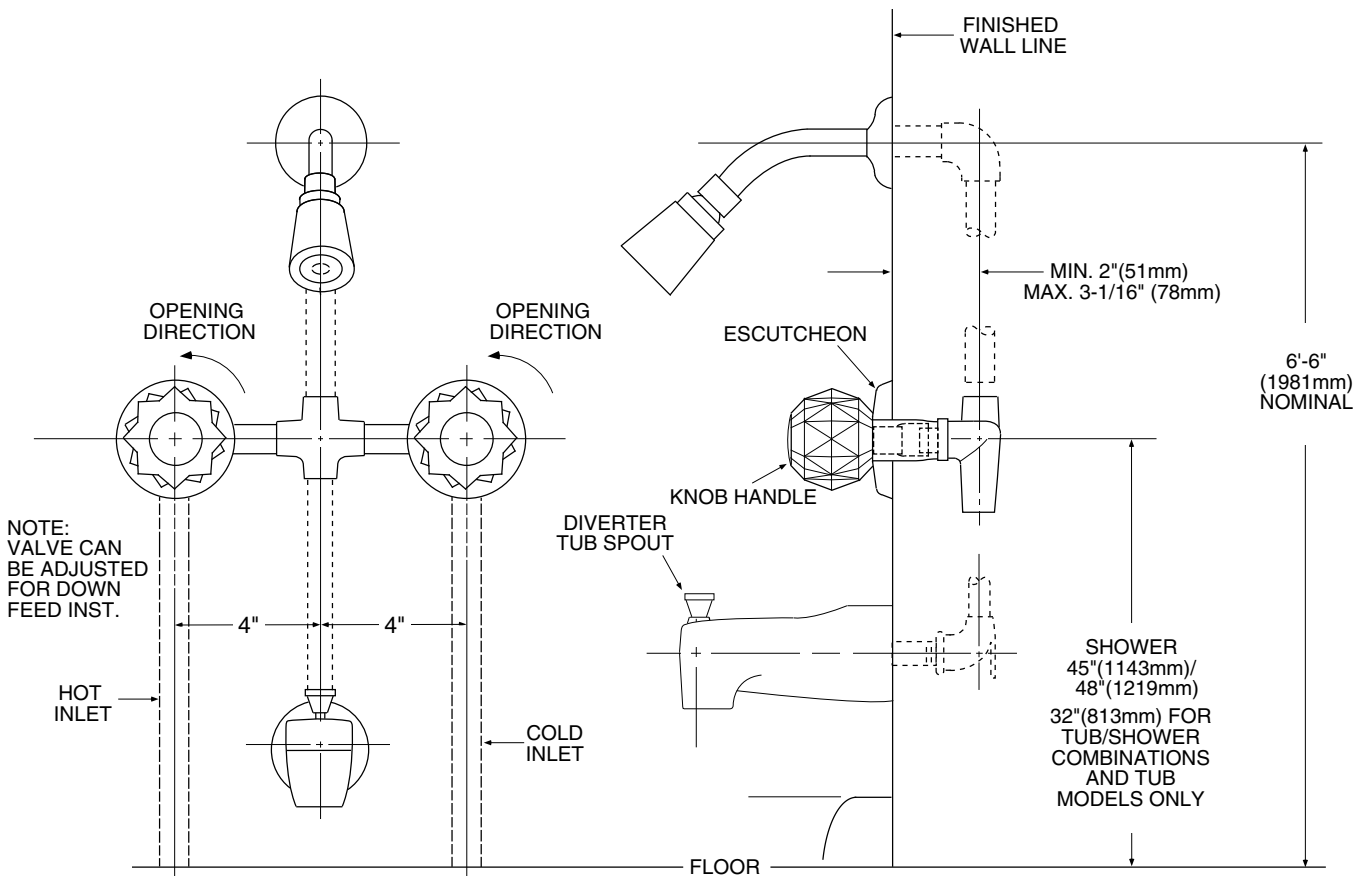
- Lifetime limited warranty against leaks, drips and finish defects to the original consumer purchaser
- 5 year warranty if used in commercial installations



CHATEAU®
Two-Handle Tub/Shower Valve

Model: 2919

NOTE: See reverse side for illustrated parts



CRITICAL DIMENSIONS

(DO NOT SCALE)