

## DESCRIPTION

- Metal construction with a chrome plated, decorative glacier, LifeShine® polished brass, LifeShine® satine®, classic gold, black opal, nickel, LifeShine® brushed nickel, oil rubbed bronze or platinum finishes
- 1/2" IPS connections
- Includes hot (red) and cold (blue) color indicators
- Includes metal pop-up type waste assembly on 4000 series models
- Includes 50/50 pop-up type waste assembly on 80000 series models

## OPERATION

- Lever style handles
- Maximum handle rotation angle is 90° to full on for either handle

## FLOW

- Aerator is limited to 2.2 gpm max (8.3 L/min)

## CARTRIDGE

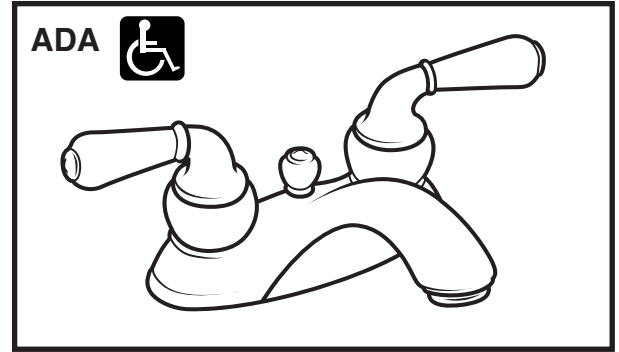
- 1224 cartridge design
- Nonmetallic and stainless steel material

## STANDARDS

- Third party certified to CSA B125, ASME A112.18.1M, ANSI A117.1 and all applicable requirements referenced therein.
- Certified to ANSI/NSF 61/9
- Complies with California Proposition 65 and with the Federal Safe Water Drinking Act

## WARRANTY

- Lifetime limited warranty against leaks, drips and finish defects to the original consumer purchaser
- 5 year warranty if used in commercial installations



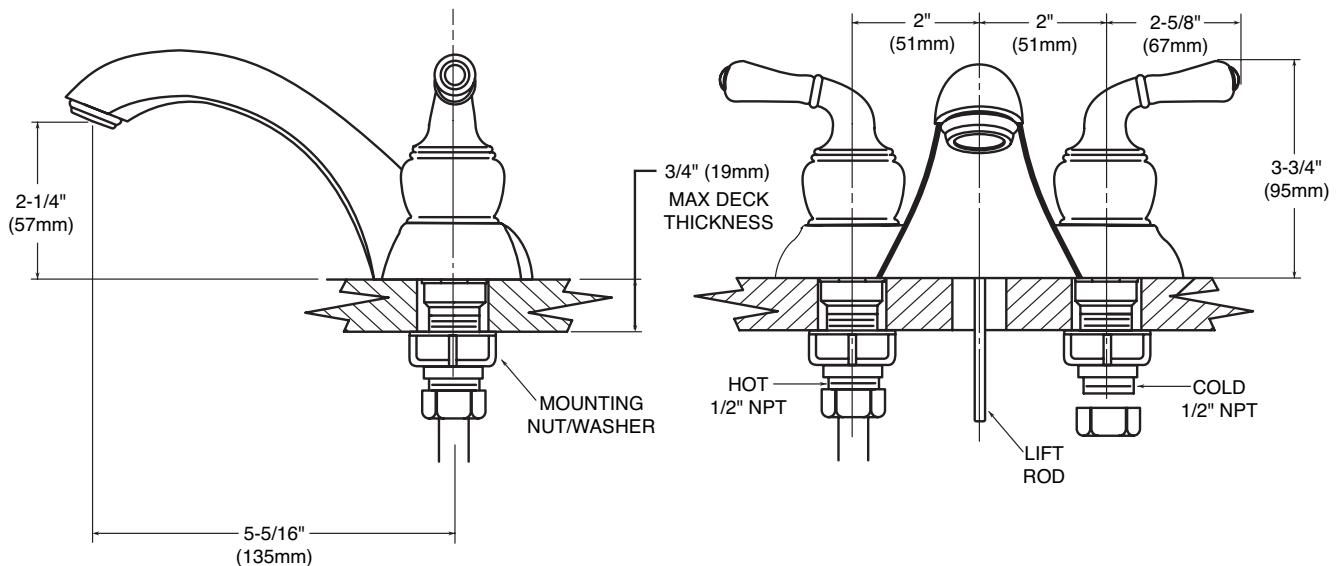
## MONTICELLO® 4" Lavatory Faucet

(Handle Inserts included on 80000 and 4551 series models)

**Models:** 4551, 4551BN, 4551CP, 4551CPC, 4551P, 4551W, 4551PM, 4551PMC, 4551ST, 4551STP, R4550, R4550P, R4550PM, R4550ST, R4550NL, A4550, A4550P, A4550PM, A4550ST, A4550NL, A4550CG, A4550BP

**Retail:** 84200, 84200BN, 84200ORB, 84200PM, 84204, 84206, 84210, 84210PM, 84210ST, 84212ST, 84214

**NOTE:** THIS FAUCET IS DESIGNED TO BE INSTALLED THRU 3 HOLES, 1" MIN. DIA.



## CRITICAL DIMENSIONS

(DO NOT SCALE)