

### FEATURED MODEL

**501-115**      10-1/2" bowl depth

### ADDITIONAL MODELS

501-114      12" bowl depth

### FEATURES

- 18 gauge, 304 series stainless steel
- 18/8 chrome/nickel content
- Long-lasting, easy-to-clean, satin finish
- 4 diagonal drain grooves channel water directly to center drain

### OPTIONAL ACCESSORIES

Colander:              215-651

### WARRANTY

Blanco America's BLANCOMAGNUM Series sinks feature a 15-year "NO HASSLE" LIMITED WARRANTY to be free of all manufacturing defects under normal use. See our complete warranty for details.

While Blanco America endeavors to provide accurate information, all dimensions are nominal, cannot be guaranteed, and are subject to change or cancellation. Blanco America assumes no responsibility for use of superseded or voided specifications.

### PRODUCT SPECIFICATION

Undermount sink to be specialty single bowl design, 21" in length and 18" in front-to-back depth. Sink to be made from 18 gauge, 304 series stainless steel, with 18/8 chrome/nickel content and satin finish. Sink to feature center drain placement with 4 diagonal drain grooves. Sink to be Blanco Model 501-115, with bowl depth of 10-1/2".

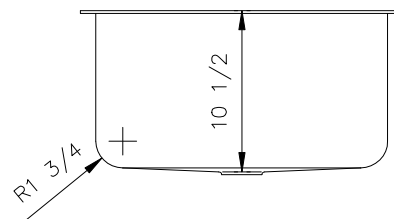
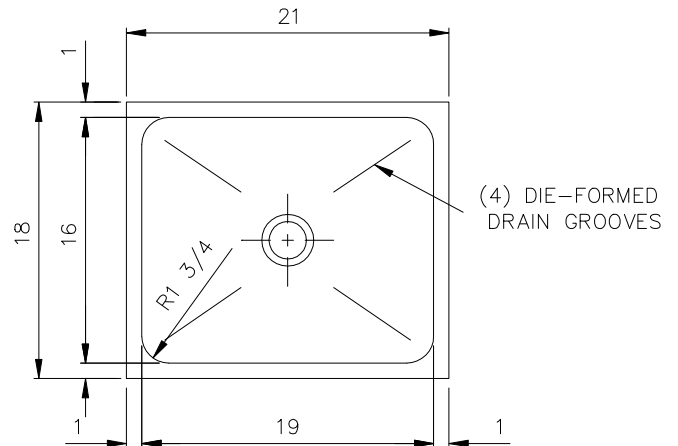


MODEL 501-115

### NOMINAL DIMENSIONS

| MODEL   | OVERALL | BOWL DEPTH | DRAIN DIAMETER |
|---------|---------|------------|----------------|
| 501-115 | 21 x 18 | 10-1/2     | 3-1/2          |

DXF cutout templates available on our web site or this specification CD.



### JOB INFORMATION

Job Name: \_\_\_\_\_

Contact: \_\_\_\_\_

Date Specified: \_\_\_\_\_

Specifier: \_\_\_\_\_

Contractor: \_\_\_\_\_