

DESCRIPTION



- Metal construction with chrome plated, antique nickel, oil rubbed bronze, wrought iron, LifeShine® polished brass or brushed nickel finishes
- 1/2" IPS connections
- Includes hot and cold indicators
- Includes metal pop-up type waste assembly

OPERATION



- Lever style handles
- Maximum handle rotation angle is 90° to full on for either handle
- Hot side counterclockwise to open (clockwise to close)
- Cold side clockwise to open (counterclockwise to close)

FLOW



- Aerator is limited to 2.2 gpm (8.3 L/min)

CARTRIDGE



- 1224 Cartridge design
- Nonmetallic and stainless steel material

STANDARDS

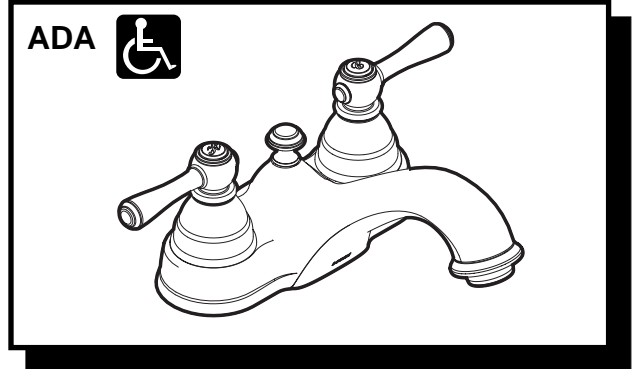


- Third party certified by CSA and IAPMO to meet ASME A112.18.1M and all applicable requirements referenced therein and complies with the applicable requirements of ANSI A117.1
- Certified to ANSI/NSF 61/9
- Complies with California Proposition 65 and with the Federal Safe Water Drinking Act

WARRANTY



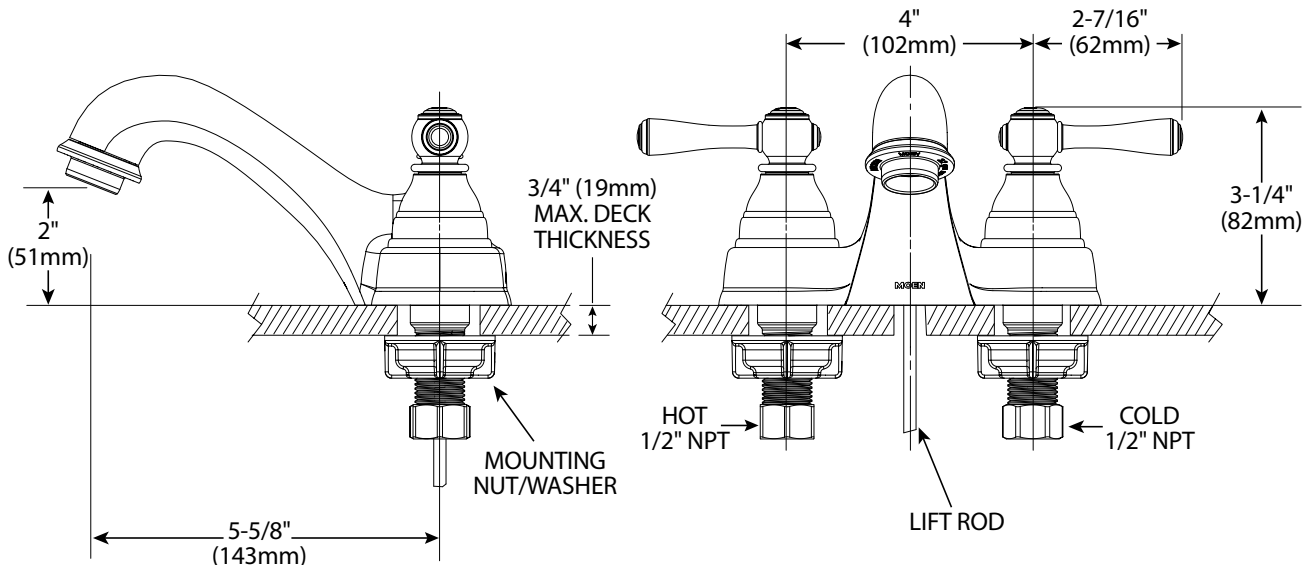
- Lifetime limited warranty against leaks, drips and finish defects to the original consumer purchaser
- 5 year warranty if used in commercial installations



KINGSLEY™
Two Handle Lavatory Faucet

Models: 6101, 6101CP, 6101P, 6101WR, 6101AN, 6101ORB, 6101BN

NOTE: THIS FAUCET IS DESIGNED TO BE INSTALLED THRU 3 HOLES, 1" (25mm) MIN. DIA.



CRITICAL DIMENSIONS

(DO NOT SCALE)