

**SILHOUETTE™ 33" DOUBLE BOWL
KITCHEN SINK**

- Americast® brand engineered material
- Dual level double bowl design
- Acid-resisting glossy porcelain finish
- Top mount or undercounter installation
- Silicone sealant supplied
- Available in 1, 3, 4, or 5 faucet hole configuration
- Customized hole punchings available (see page KS-61)

Top Mount/Undercounter:

- 7145.001** Center hole only
- 7145.803** 3 hole
- 7145.804** 4 hole
- 7145.805** 5 hole

Undercounter Installation Order:

- 791326-100** Mounting Kit (consists of cut-out templates and mounting kits)

Nominal Dimensions:

838 x 559 x 241mm
(33" x 22" x 9-1/2")

Bowl sizes:

Right Hand: 359mm (14-1/8") wide
413mm (16-1/4") front to back
229mm (9") deep
Left Hand: 359mm (14-1/8") wide
476mm (18-3/4") front to back
229mm (9") deep

Compliance Certifications -

Meets or Exceeds the Following Specifications:

- ASME A112.19.4M for Americast Plumbing Fixtures
- ASTM E162 for Flammability
- NFPA 258 for Smoke Density

SEE REVERSE SIDE FOR ROUGHING-IN DIMENSIONS



**Top mount model
(faucet & soap dispenser not included)**



**Undercounter Installation
(faucet not included)**

To Be Specified:

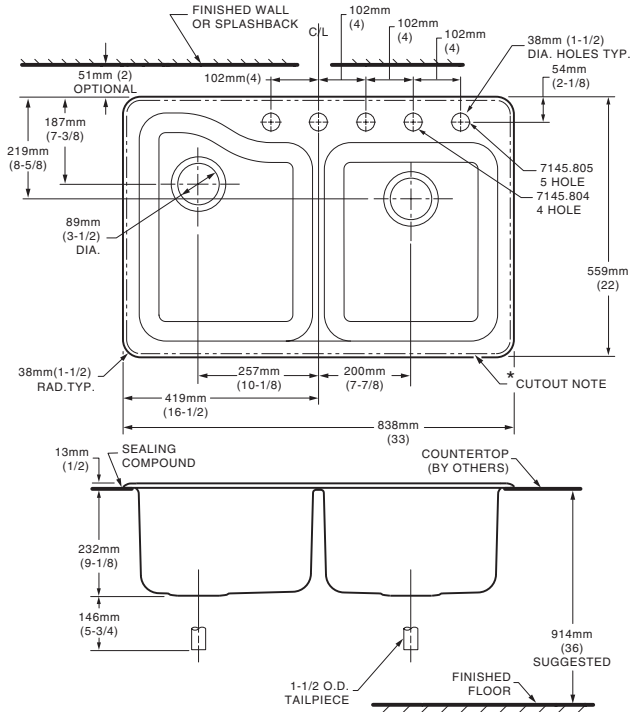
- Color:
- Faucet*:
- Faucet Finish:
- Basket Strainer: 4331.013
- Soap Dispenser: 4503.115, Color:
- Traps:

Optional Accessories:

- Coated Wire Utility Basket: 7346.100, Color:
- Wood Cutting Board: 9000.250
- Colander for Cutting Board: 8102.100, Color:
- Large Colander: 8103.100, Color:
- Deep Web Colander: 8105.100, Color:
- Shallow Web Colander: 8104.100, Color:
- Web Cover: 8106.100, Color:
- Bottom Sink Rack (Left): 7407.100
- Bottom Sink Rack (Right): 7406.100

* See faucet section for available models

7145.803/804/805 Top Mount

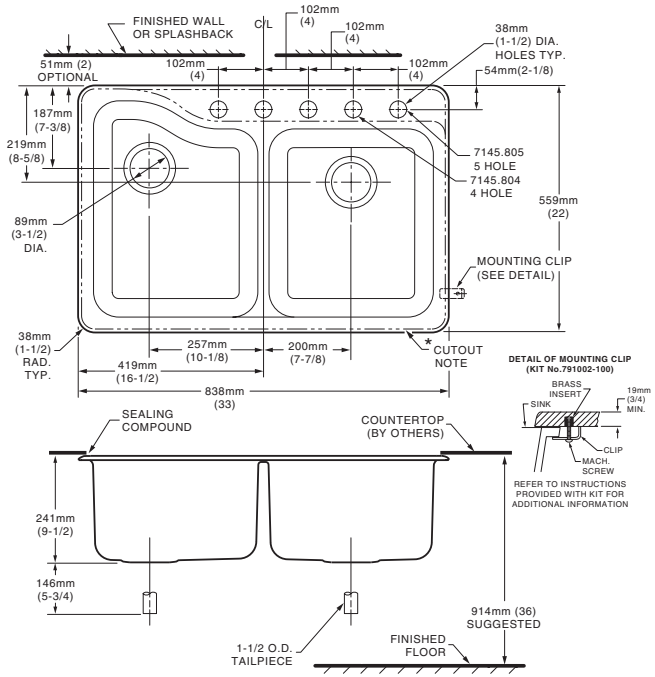


NOTES:
*** TOP MOUNT (7145.803/4/5):** COUNTERTOP CUTOUT 806 X 527MM WITH 25MM RADIUS (31-3/4 X 20-3/4 WITH 1" RAD.) AT CORNERS.

FITTINGS NOT INCLUDED AND MUST BE ORDERED SEPARATELY.
 PROVIDE SUITABLE REINFORCEMENT FOR ALL WALL AND COUNTERTOP SUPPORTS.

IMPORTANT: Dimensions of fixtures are nominal and may vary within the range of tolerances established by ASME Standard A112.19.4. These measurements are subject to change or cancellation. No responsibility is assumed for use of superseded or voided leaflet.

Undercounter Mount



NOTES:
*** TEMPLATE PROVIDED WITH MOUNTING KIT 791326-100 FOR EXPOSED FAUCET DECK OR UNDERCOUNTER FAUCET DECK COUNTERTOP CUTOUT VARIATIONS.**

FITTINGS AND UNDERCOUNTER MOUNTING KIT NOT INCLUDED AND MUST BE ORDERED SEPARATELY.
 PROVIDE SUITABLE REINFORCEMENT FOR ALL WALL AND COUNTERTOP SUPPORTS.

IMPORTANT: Dimensions of fixtures are nominal and may vary within the range of tolerances established by ASME Standard A112.19.4. These measurements are subject to change or cancellation. No responsibility is assumed for use of superseded or voided leaflet.

