



Buy it for looks. Buy it for life.®

Specifications

There is more than 1 version of this model.
Page down to identify the version you have.

FAUCET DESCRIPTION

- Metal construction with chrome plated finish
- 1/2" IPS connections will accept standard ball nose connection for 3/8" tubing
- Includes Protégé side spray

OPERATION

- Lever style handle
- Temperature controlled by 180° arc of handle travel
- Will operate with less than 5 lbs. of force

FLOW

- Aerator is limited to 2.2 gpm max (8.3 L/min)

CARTRIDGE

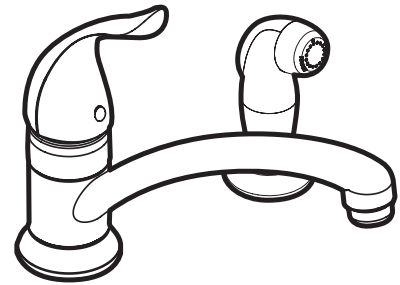
- 1225 cartridge design (not 1200)
- Nonmetallic/nonferrous and stainless steel material

STANDARDS

- Designed and manufactured to comply with the requirements of: CSA B-125, ASME A112.18.1M, ANSI A117.1 and all applicable requirements referenced therein
- Certified to ANSI/NSF 61/9
- Complies with California Proposition 65 and with the Federal Safe Water Drinking Act

WARRANTY

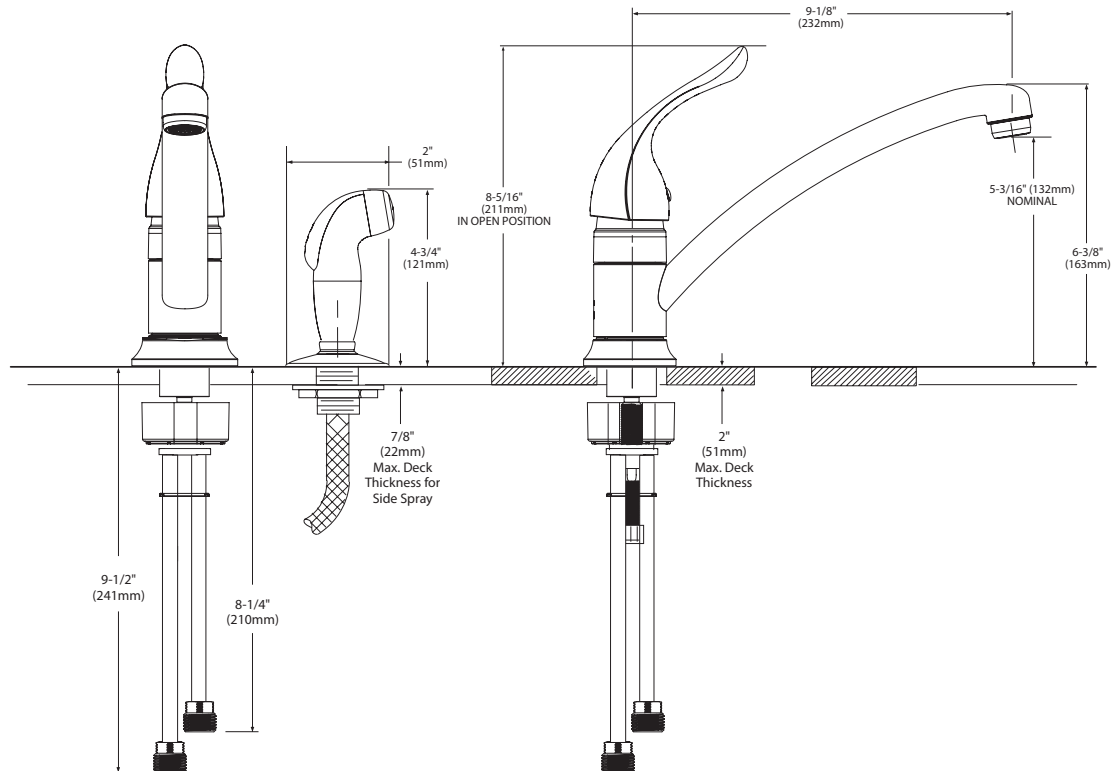
- Lifetime limited warranty against leaks, drips and finish defects to the original consumer purchaser
- 5 year warranty if used in commercial installations



CHATEAU®
Single-Handle Kitchen Faucet
w/Protégé Side Spray

Model: 7437

NOTE: DESIGNED TO INSTALL
THRU 2 HOLES 1-1/4" (32mm) MIN. DIA.
AND 4" (102mm) ON CENTER



CRITICAL DIMENSIONS

(DO NOT SCALE)



Buy it for looks. Buy it for life.®

Specifications

FAUCET DESCRIPTION

- Metal construction with either chrome plated, decorative glacier or sand finish
- 1/2" IPS connections will accept standard ball nose connection for 3/8" tubing
- Includes Protégé side spray

OPERATION

- Lever style handle
- Temperature controlled by 180° arc of handle travel
- Will operate with less than 5lbs. of force

FLOW

- Aerator is limited to 2.2 gpm max (8.3 L/min)

CARTRIDGE

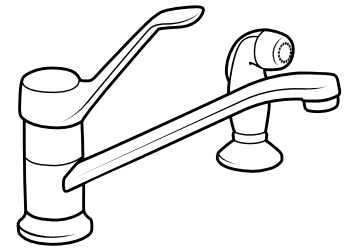
- 1225 cartridge design (not 1200)
- Nonmetallic/nonferrous and stainless steel material

STANDARDS

- Designed and manufactured to comply with the requirements of: CSA B-125, ASME A112.18.1M, and all applicable requirements referenced therein and complies with the applicable requirements of ANSI A117.1.
- Certified to ANSI/NSF 61/9
- Complies with California Proposition 65 and with the Federal Safe Water Drinking Act

WARRANTY

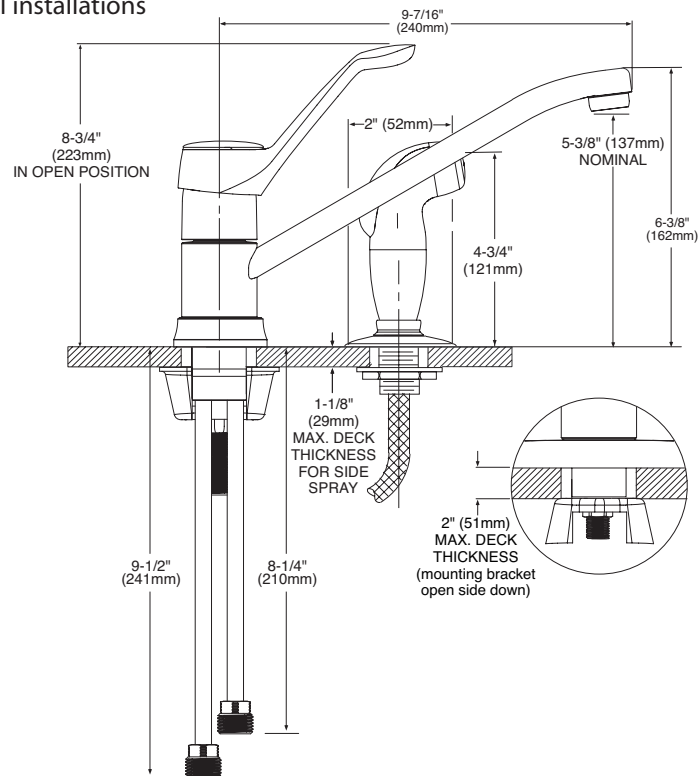
- Lifetime limited warranty against leaks, drips and finish defects to the original consumer purchaser
- 5 year warranty if used in commercial installations



CHATEAU® Single-Handle Kitchen Faucet w/Protégé Side Spray

Models: 7437, 7437S, 7437W, 87437

NOTE: DESIGNED TO INSTALL
THRU 2 HOLES 1-1/4" (32mm) MIN. DIA.
AND 4" (102mm) ON CENTER



CRITICAL DIMENSIONS

(DO NOT SCALE)