

FAUCET DESCRIPTION

- Chrome plated metal construction
- Pressure balancing cycle valve design
- 1/2" CC connections
- Includes 1/4 turn stops
- Supplied with vandal resistant screws

OPERATION

- Lever style handle with temperature indicators on the escutcheon
- Handle operates counterclockwise through a 270° arc with off at 6 o'clock, and maximum hot at the 9 o'clock position. Shut off in clockwise direction
- Adjustable temperature limit stop to restrict the handle travel in the HOT direction
- Pressure balancing mechanism maintains selected discharge temperature to $\pm 2^\circ$

FLOW

- Vandal resistant shower head 2.5 gpm (9.6 L/min) maximum

CARTRIDGE

- 1222 cartridge design
- Nonmetallic/nonferrous and stainless steel materials
- Accommodates back-to-back installations

STANDARDS

- Third party certified to CSA B-125 and ASME A112.18.1M and all applicable specifications referenced therein and complies with the applicable requirements of ANSI A117.1

WARRANTY

- Warranted for 5 years against material or manufacturing defects

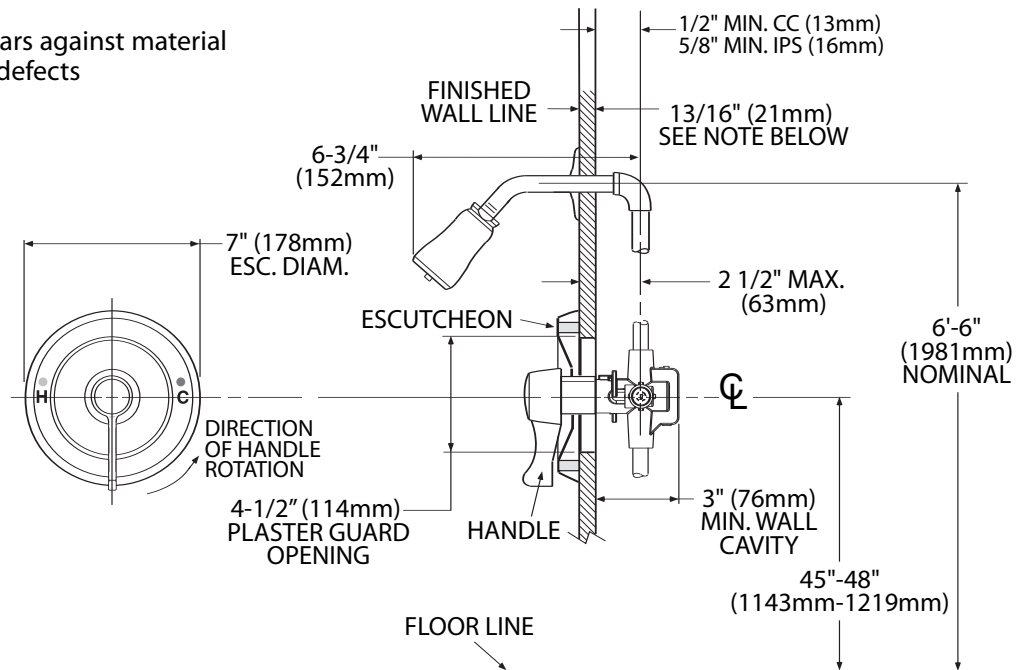


ADA 



Single-Handle Pressure Balancing Shower Valve only with Integral Stops and HAF

Model: 8375



CRITICAL DIMENSIONS

(DO NOT SCALE)