

DESCRIPTION

- Brass construction
- 1/2" IPS connections will accept standard ball nose connection for 3/8" tubing
- Diverter valve includes an integral vacuum breaker
- Includes pop-up waste assembly

OPERATION

- Handles have 180° rotation
- Hot side counterclockwise to open (clockwise to close)
- Cold side clockwise to open (counterclockwise to close)
- Water flow is diverted by tuning the knob counterclockwise for fill and clockwise for rosetta spray

CARTRIDGE

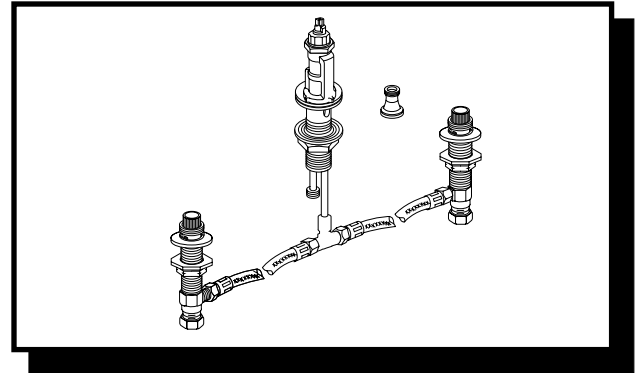
- 94831 diverter cartridge
- 1224 cartridge design with hot and cold valves
- Nonmetallic and stainless steel material

STANDARDS

- When Trim Kit is added to M•Pact valve, the product is:
- Third party certified by CSA to meet CSA B-125, ASME A112.18.1M and all applicable requirements referenced therein

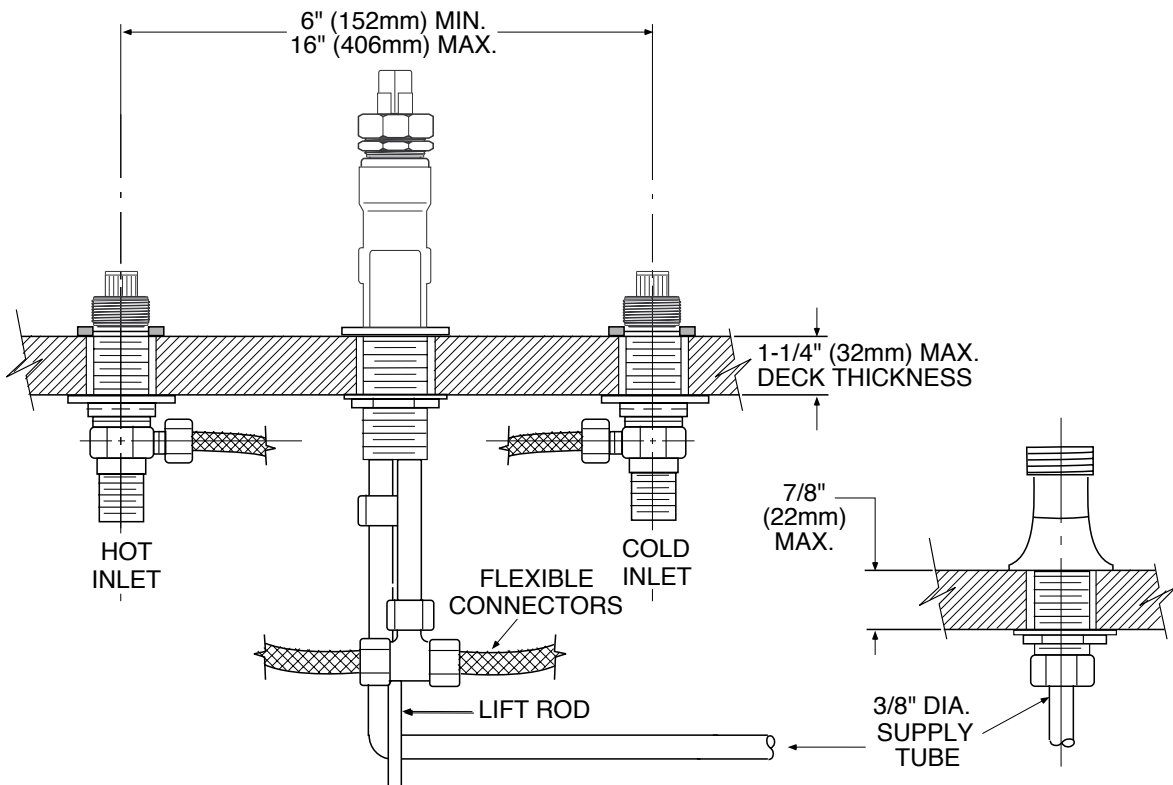
WARRANTY

- Lifetime limited warranty against leaks, drips and finish defects to the original consumer purchaser
- 5 year warranty if used in commercial installations



M•PACT VALVE
Widespread Bidet Rough-in Valve

Model: 9200



CRITICAL DIMENSIONS

(DO NOT SCALE)