

## DESCRIPTION

- Brass construction
- 1/2" IPS connections
- Includes pop-up waste assembly

## OPERATION

- Maximum handle rotation angle is 90° to full on for either handle

## CARTRIDGE

- 1224 cartridge design with nonmetallic and stainless steel materials

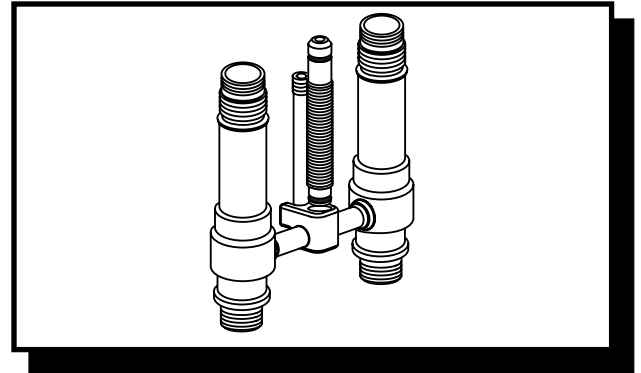
## STANDARDS

When Trim Kit is added to M•Pact valve, the product is:

- Third party certified by CSA to meet CSA B-125, ASME A112.18.1M and all applicable requirements referenced therein and complies with the applicable requirements of ANSI A117.1
- Certified to ANSI/NSF 61/9
- Complies with the California Proposition 65 and with the Federal Safe Water Drinking Act

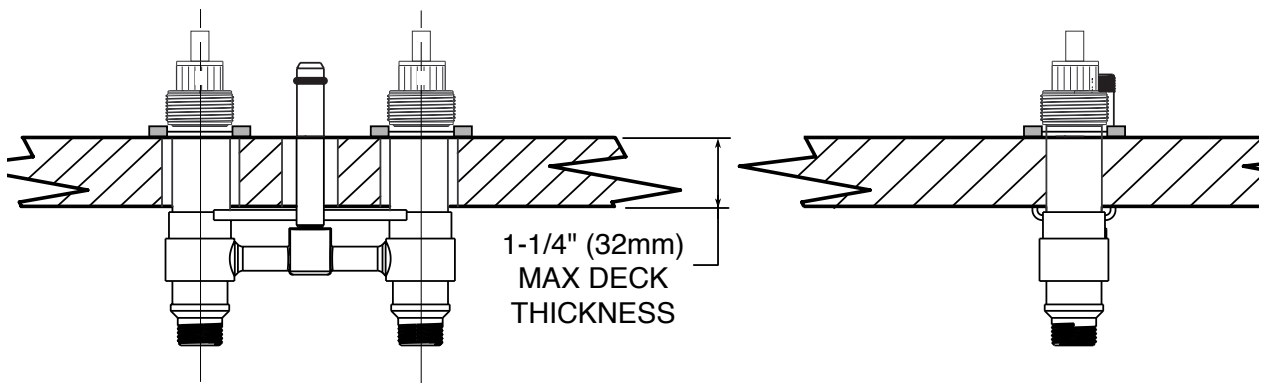
## WARRANTY

- Lifetime limited warranty against leaks, drips and finish defects to the original consumer purchaser
- 5 year warranty if used in commercial installations



**M•PACT VALVE**  
Mini-Widespread Lavatory Rough-in Valve

**Models: 9300, 69300**  
(69300-Bulk Packed 6 per carton)



## CRITICAL DIMENSIONS

(DO NOT SCALE)