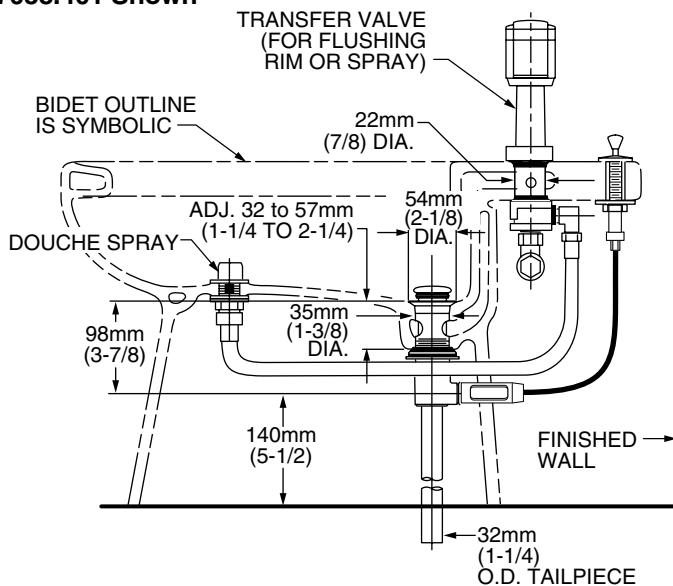


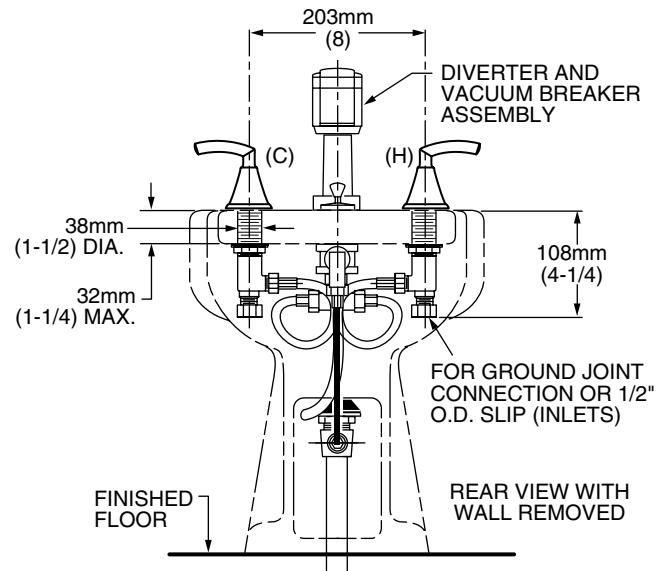


7038.401 Shown



MODEL NUMBER:

- ☐ **7038.401 Fixture-Mounted Bidet Fitting**
Vacuum breaker. Metal Speed Connect™ Pop-up drain. Metal lever handles.
- ☐ **7038.400 Fixture-Mounted Bidet Fitting**
Less vacuum breaker. Metal Speed Connect™ Pop-up drain. Metal lever handles.



GENERAL DESCRIPTION:

Cast brass valve bodies. 1/4 turn washerless ceramic disc valve cartridges. Diverter controls water flow between douche spray and flushing rim. Douche spray has built-in spray height adjustment. 20" (500mm) long flexible stainless steel drain cable is pre-assembled to lift rod assembly. Metal Speed Connect™ drain body with 1-1/4" (32mm) tail piece.

PRODUCT FEATURES:

- Brass Construction:** Durable - Excellent in high use applications. Ideal for prolonged contact with water.
- Ceramic Disc Valve Cartridges:** Assures a lifetime of smooth handle operation and drip-free performance.
- Exclusive Speed Connect Metal Drain:**
 - Fewer Parts - installs in less time.
 - No adjustments required - seals the first time, every time.
 - Flexible stainless steel cable - installs effortlessly in tight spaces.
- Choice of Finishes:** Available in polished Chrome (002) and Satin Nickel (295) finishes.

SUGGESTED SPECIFICATION:


Two handle deck-mount bidet fitting with matching pop-up drain shall feature solid brass construction. Shall also feature 1/4 turn washerless ceramic disc valve cartridges. Shall also feature a metal drain body with stainless steel cable actuation. Fitting shall be American Standard Model #7038.40_._.

CODES AND STANDARDS

These products meet or exceed the following codes and standards:

- ASME A112.18.1**
- CSA B 125**
- ASSE 1001 - 7038.401 only**

Product Number	Description	Finish Options	
		Polished Chrome	PVD Satin Nickel
		002	295
7038.401	Fixture-mounted bidet fitting. Vacuum breaker. Metal Speed Connect™ Pop-up drain. Metal lever handles.		
7038.400	Fixture-mounted bidet fitting. LESS Vacuum breaker. Metal Speed Connect™ Pop-up drain. Metal lever handles.		

 Meets the American Disabilities Act Guidelines and **ANSI A117.1** Requirements for the physically challenged.