

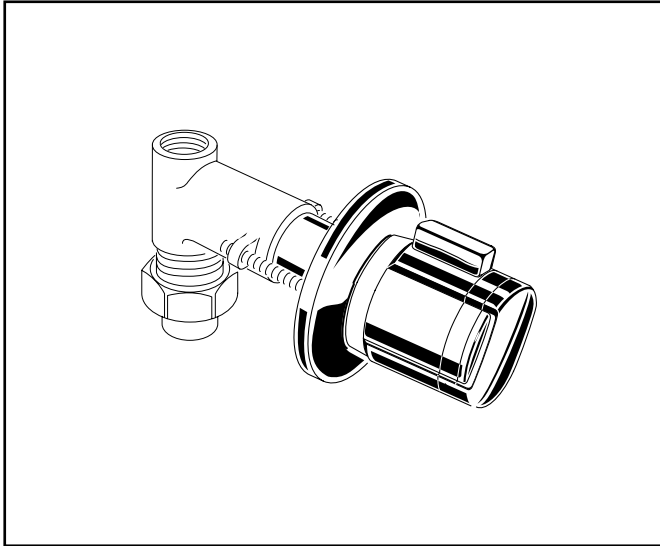
# American Standard



## IN-WALL SINGLE VALVES

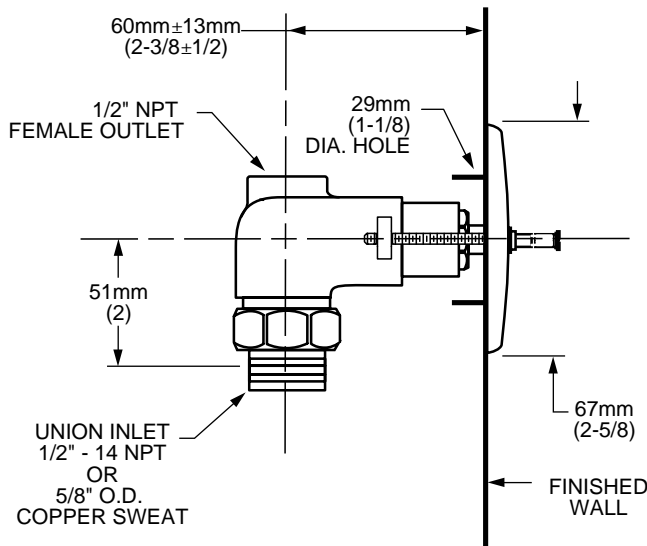
### MODEL NUMBER:

- 7001.490 On/Off & Volume Control Valve**  
1/2" inlet/outlet. With handle.
- 7001.000 On/Off & Volume Control Valve**  
1/2" inlet/outlet. Less handle.
- 7011.490 On/Off & Volume Control Valve**  
3/4" inlet/outlet. With handle.
- 7011.000 On/Off & Volume Control Valve**  
3/4" inlet/outlet. Less handle.

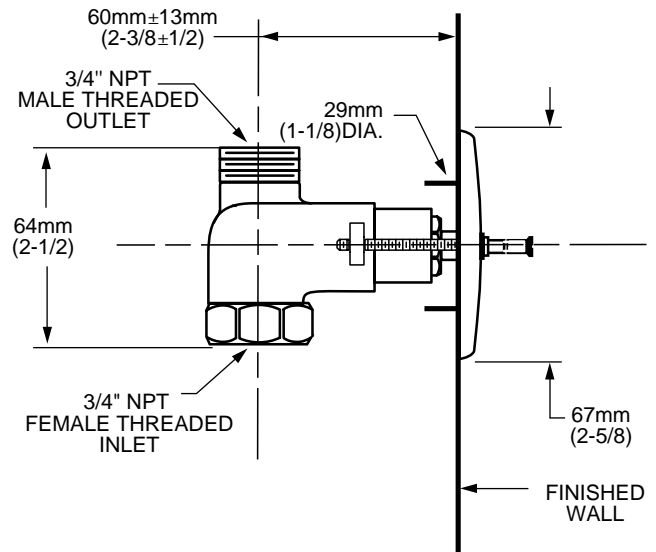


7001.490 Shown.

### Models 7001.490 & 7001.000



### Models 7011.490 & 7011.000



### GENERAL DESCRIPTION:

Cast brass valve body. Amaris washerless ceramic disc valve cartridge. Models 7001.490 and 7001.000 with combination 1/2" NPT threaded and direct sweat inlets. 1/2" NPT female outlet. Models 7011.490 and 7011.000 with 3/4" female inlet. 3/4" male outlet.

### PRODUCT FEATURES:

**Brass Construction:** Durable - Excellent in high use applications. Ideal for prolonged contact with water.

**Ceramic Disc Valve Cartridge:** Assures a lifetime of drip-free performance.

### SUGGESTED SPECIFICATION:

In-wall single valve shall feature a cast brass valve body. Models 7001.490 and 7001.000 shall feature combination 1/2" NPT threaded and direct sweat inlets. 1/2" NPT female outlet. Models 7011.490 and 7011.000 shall feature 3/4" female inlet. 3/4" male outlet. Shall also feature 1/4 turn washerless ceramic disc valve cartridges. Fitting shall be American Standard Model # \_\_\_\_\_.

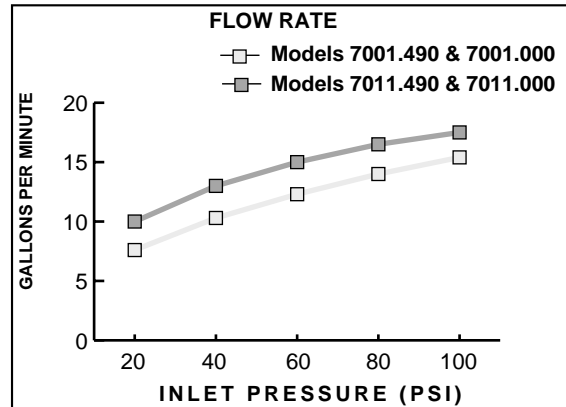


**IN-WALL SINGLE VALVES**

**CODES AND STANDARDS**

These products meet or exceed the following codes and standards:

**ASME A112.18.1M  
CSA B 125**



Product Number	Description	Finish Options			
		Polished Chrome	PVD Polished Brass	PVD Satin	Chrome / (PVD) Brass mix.
		002	099	295	299
7001.490	In-wall single valve. 1/2" inlet/outlet. With handle.				
7001.000	In-wall single valve. 1/2" inlet/outlet. Less handle.*				<b>N/A</b>
7011.490	In-wall single valve. 3/4" inlet/outlet. With handle.				
7011.000	In-wall single valve. 3/4" inlet/outlet. Less handle.*				<b>N/A</b>

**N/A = NOT AVAILABLE**

**\*Handles must be ordered separately.**

**7001.000 and 7011.000 will accept the following Amarilis-Series handles. \*\***

451	441	461	431	551	541	571	371H	351H	341H	901 911	861

Meets the American Disabilities Act Guidelines and **ANSI A117.1** Requirements for the physically challenged.