

Brighton Technical Specification

Paper Holder

308

Stock Numbers:

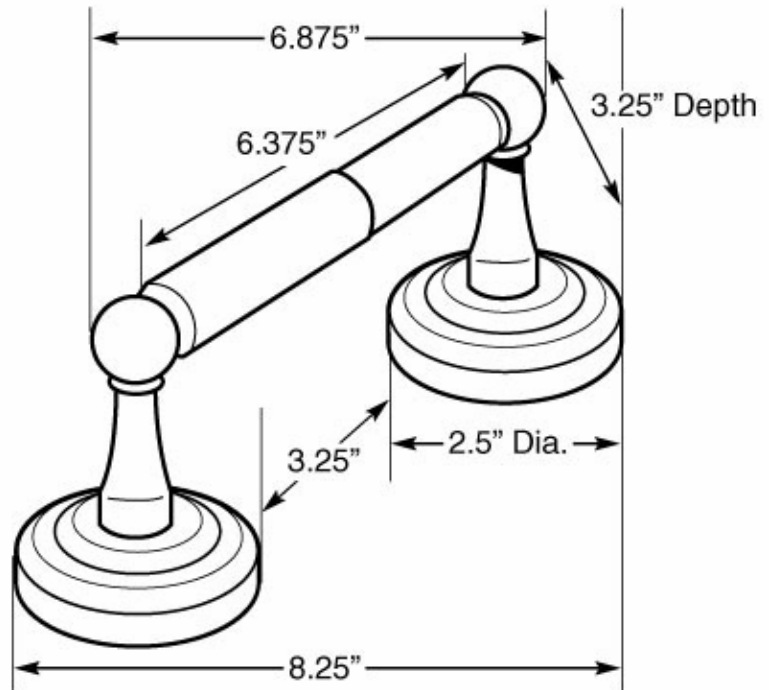
- q **308PB – Paper Holder**
Polished Brass Finish
Concealed Screw Mounting
Matching Roller
- q **308CH (BP308CH) – Paper Holder**
Polished Chrome Finish
Concealed Screw Mounting
Matching Roller
- q **308CB (BP308CB) – Paper Holder**
Chrome & Brass Finish
Concealed Screw Mounting
Matching Roller
- q **308PW (BP308PW) – Paper Holder**
Pewter Finish
Concealed Screw Mounting
Matching Roller

“BP” skus in wholesale packaging

Materials:

Paper Holder is constructed of solid brass and finished in polished brass, polished chrome (triple plated), combination chrome & brass or pewter with a lacquer coat for added protection. Roller is solid brass and spring loaded.

Dimensions:



Installation Instructions:

1. Position the mounting template on the wall in the desired location. Using a level, align the template and tape it to the wall.
2. Remove both mounting posts by loosening each set screw
3. Place each mounting post on the template.
4. One at a time, place each anchor screw through the mounting plate, centered in each large hole. Using a Phillips screwdriver, turn the anchor screw while applying pressure. Screw will self drill and tap into drywall. Do not over tighten
5. Only insert screw 1/2 to 3/4 of the way into wall.
6. After all screws are installed, tear the template away from the wall
7. Tighten all 4 screws. Do not over tighten.
8. Place the skirt over each mounting post.
9. Position each end post with the setscrew down and place over mounting post. Tighten the setscrew at the bottom of each base.
10. Compress the paper holder bar and place into both post holes.

Cleaning Instructions:

To preserve the fine finish of this product, clean only with a soft damp cloth. Dry well. Do not use commercial or abrasive cleaners.

Stock Number: _____ **Paper Holder**
By CSI Bath Furnishings

