

TWO HANDLE BAR FAUCET


Description

- 2 handle with high-rise tubular spout

Flow & Valving

- See Chart

Standards

- ASME A112.18.1
- CSA B125
- NSF 61-9
- Listed IAPMO/UPC
- Energy policy act of 1992
- ADA Accessibility Guidelines for Buildings and Facilities - 4.27.4 Controls and Mechanisms 

Warranty

Danze faucets are covered by a manufacturer's limited "lifetime" warranty for manufacturing defects.

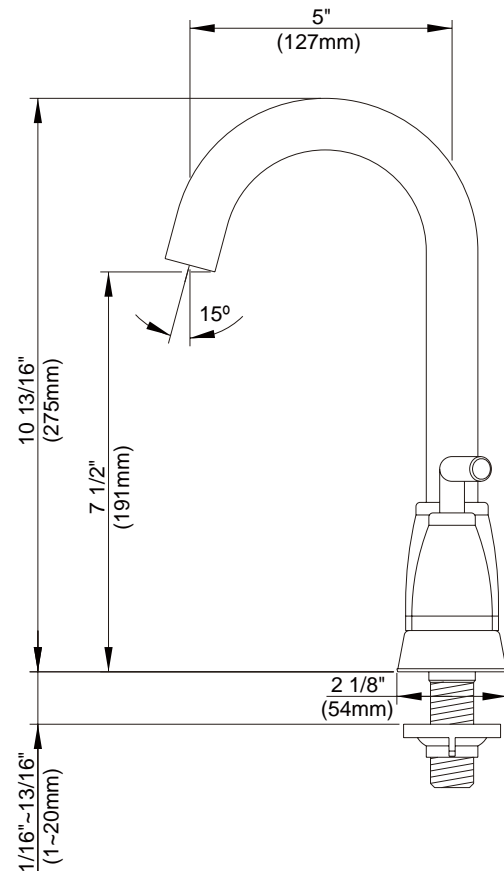
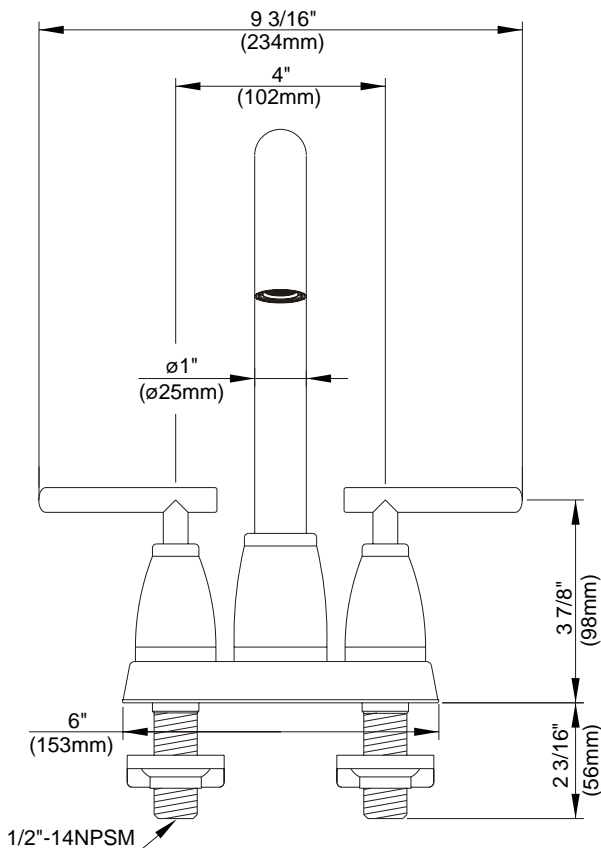
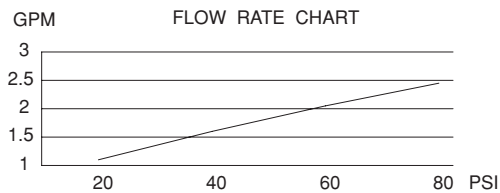


D153054
SONORA™



Available Colors & Finish

- Chrome
- Chrome with Satin Nickel Accents (CSN)
- Stainless Steel (SS)



Specific Features: _____ Submitted Model No.: _____