

### SINGLE HOLE MOUNT LAVATORY FAUCET


#### Description

- Single hole mount
- All brass drain assembly

#### Flow & Valving

- See Chart

#### Standards

- ASME A112.18.1
- CSA B125
- NSF 61-9
- Listed IAPMO/UPC
- Energy policy act of 1992
- ADA Accessibility Guidelines for Buildings and Facilities - 4.27.4 Controls and Mechanisms 

#### Warranty

Danze products are covered by a manufacturer's limited "lifetime" warranty for manufacturing defects.

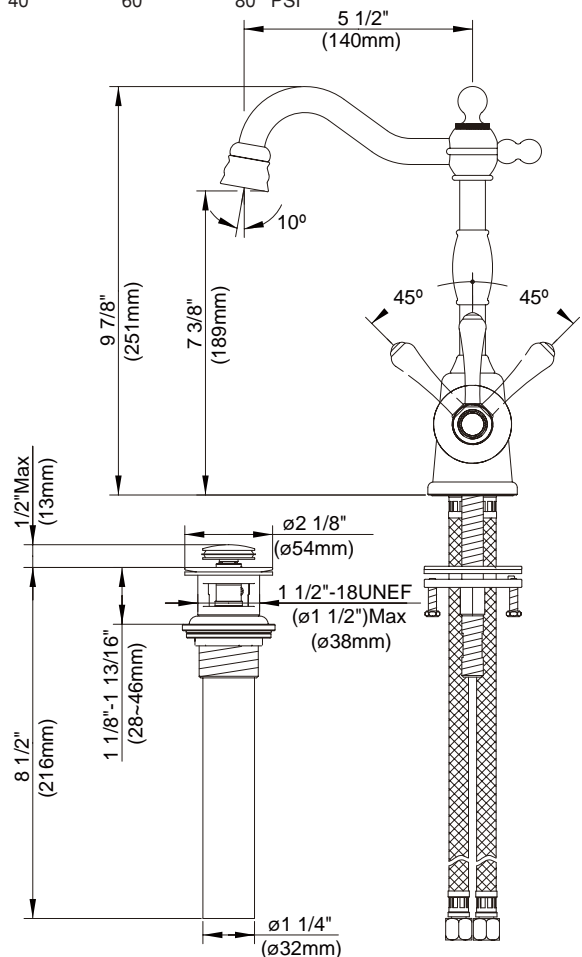
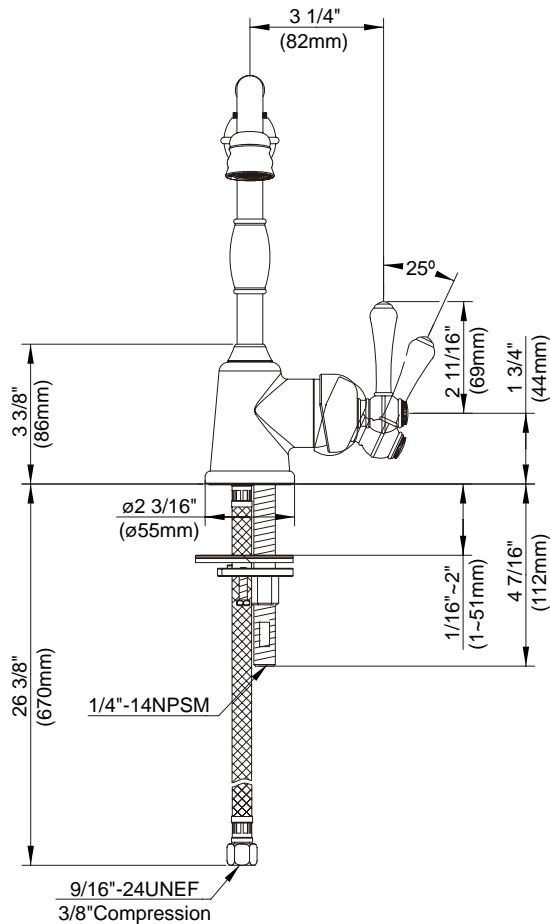
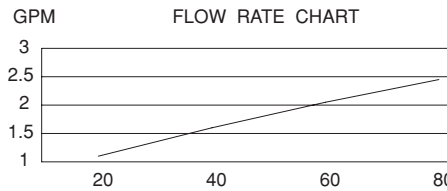


D221116  
OPULENCE™



#### Available Colors & Finish

- Chrome
- Antique Copper (AC)
- Brushed Nickel (BN)
- Satin Black (BS)
- Polished Brass (PBV)
- Polished Nickel (PNV)
- Oil Rub Bronze (RB)



Specific Features: \_\_\_\_\_ Submitted Model No.: \_\_\_\_\_