


### ROMAN TUB FAUCET WITH SOFT TOUCH PERSONAL SHOWER™

#### Description

- Distinctive ribbon spout
- Soft Touch Personal Shower™ with integral diverter system\*
- Spout plug for pressure testing & plaster guard
- Fits 1 3/8" to 1 1/2" diameter mounting hole

#### Standards

- ASME A112.18.1
- CSA B125
- Listed IAPMO/UPC
- ADA Accessibility Guidelines for Buildings and Facilities - 4.27.4 Controls and Mechanisms 

#### Warranty

Danze products are covered by a manufacturer's limited "lifetime" warranty for manufacturing defects.



D301944  
SIRIUS™



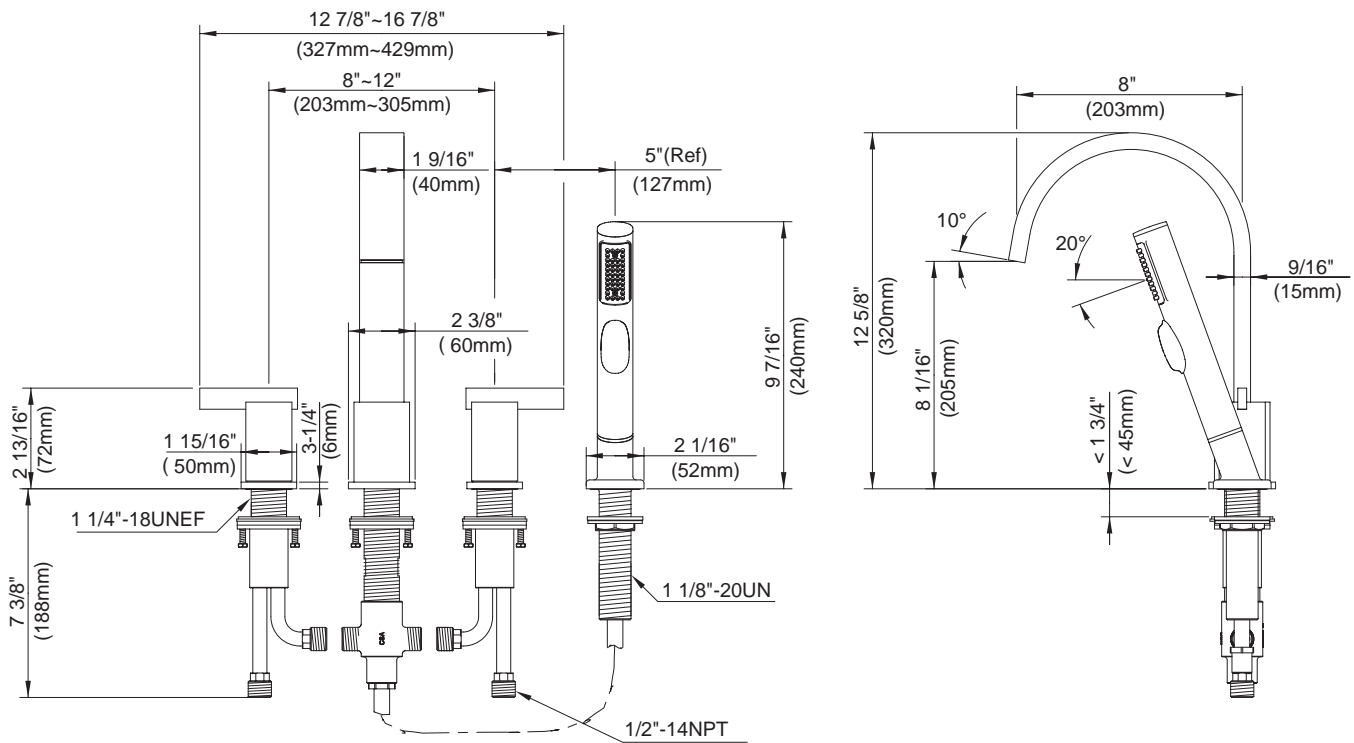
#### Available Colors & Finish

- Chrome
- Brushed Nickel (BN)

**Trim Kits:** (for use w/ rough-in valves)  
D302044T (w/o Personal Shower)

#### Special Packaging

- This product also available with valve packaged separate from trim.
- Use with rough-in valve: D210000BT (10" CC fixed) OR D215000BT (widespread)
- Valves are combination 1/2" copper sweat, 1/2" NPT threaded connectors for all ports



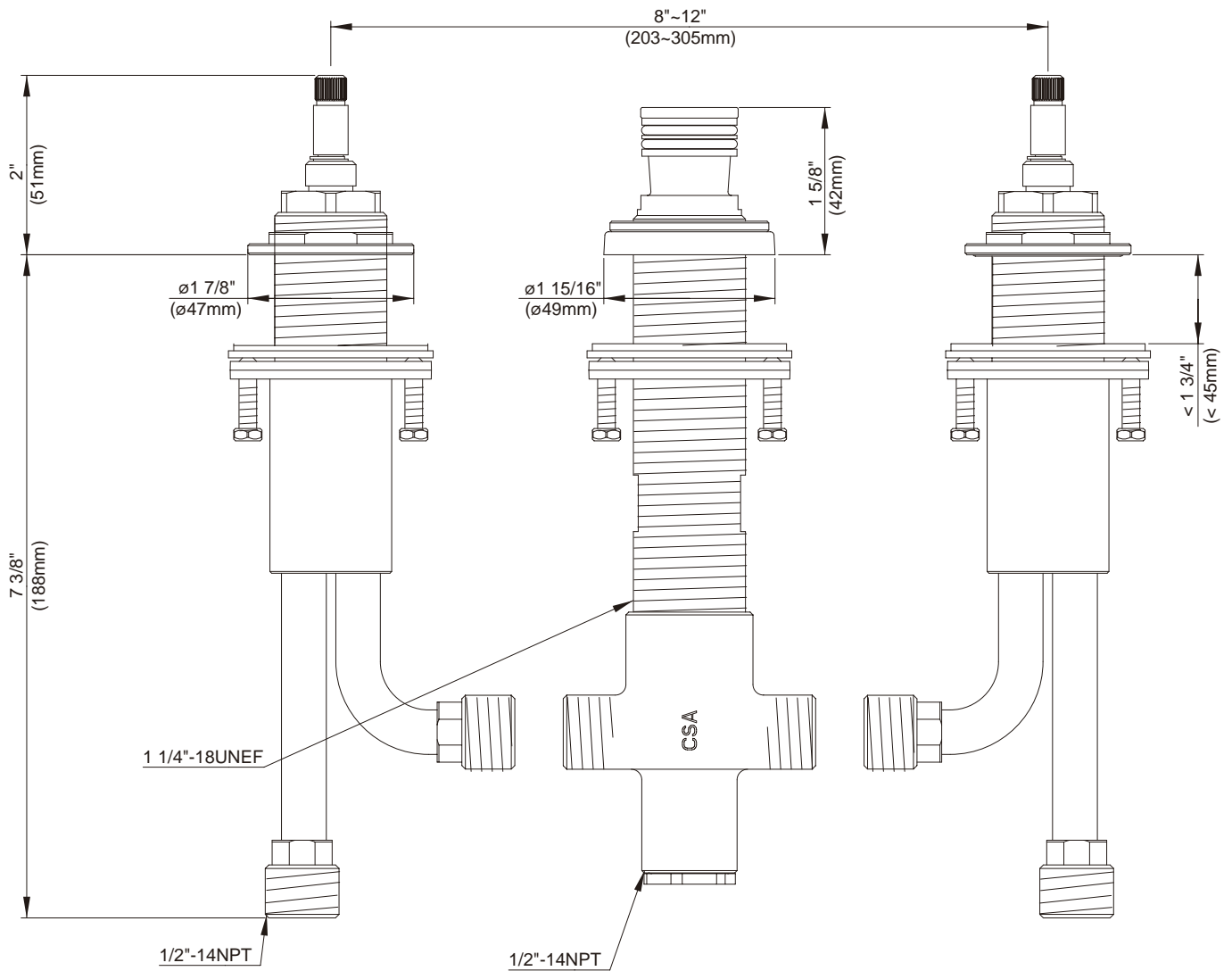
\* Danze Soft Touch Personal Shower™ is designed to operate only when the button is pressed; water will flow to the spout whenever pressure is released from the button.

Specific Features: \_\_\_\_\_ Submitted Model No.: \_\_\_\_\_

SD301944/09-07.02

**ROMAN TUB FAUCET ROUGH-IN VALVES-CRITICAL DIMENSIONS**

Rough-in valve D215000BT (widespread)



\* Installation method shown is for deck thickness of less than 1-3/4".  
If the installation is for deck thickness between 1-3/4" and 3-1/2", the sleeve nut needs to be reversed.

Specific Features: \_\_\_\_\_ Submitted Model No.: \_\_\_\_\_

SD301944/09-07.02