

### TWO HANDLE WIDESPREAD LAVATORY FAUCET


#### Description

- 2 handle with all brass pop-up drain assembly
- Concealed deck mount

#### Flow & Valving

- See Chart

#### Standards

- ASME A112.18.1
- CSA B125
- NSF 61-9
- Listed IAPMO/UPC
- Energy policy act of 1992
- ADA Accessibility Guidelines for Buildings and Facilities - 4.27.4 Controls and Mechanisms 

#### Warranty

Danze faucets are covered by a manufacturer's "limited lifetime" warranty for manufacturing defects.

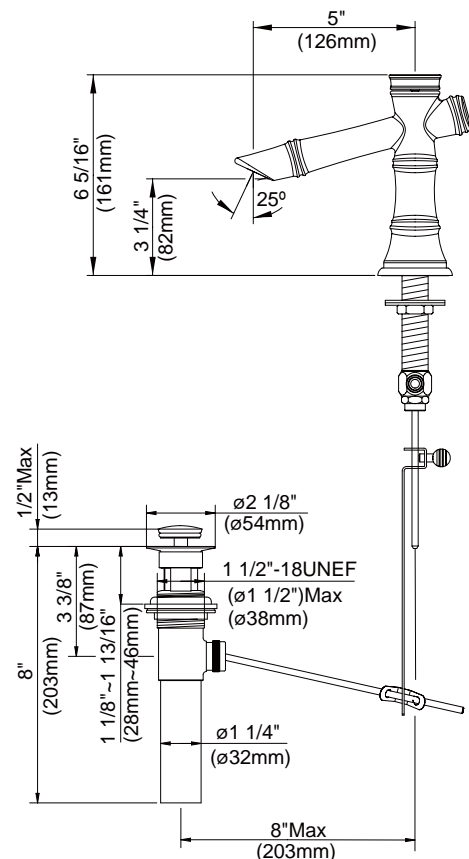
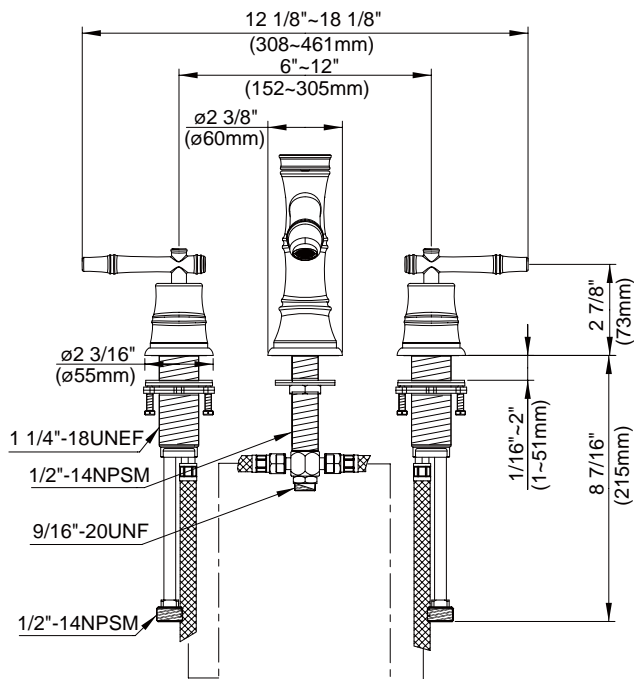
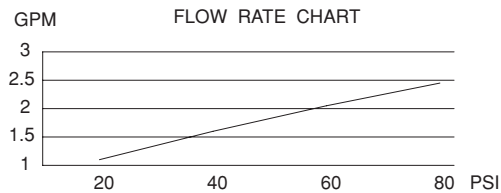


D309345  
South Sea™



#### Available Colors & Finish

- Brushed Nickel (BN)
- Distressed Bronze (RBD)



Specific Features: \_\_\_\_\_ Submitted Model No.: \_\_\_\_\_

SD309345/01-07.01