

TWO HANDLE VERTICAL SPRAY BIDET FAUCET


Description

- 2 handle with solid brass pop-up drain assembly
- Vertical spray function

Flow & Valving

- See Chart

Standards

- ASME A112.18.1
- CSA B125
- Listed IAPMO/UPC
- ADA Accessibility Guidelines for Buildings and Facilities - 4.27.4 Controls and Mechanisms 

Warranty

Danze products are covered by a manufacturer's limited "lifetime" warranty for manufacturing defects.

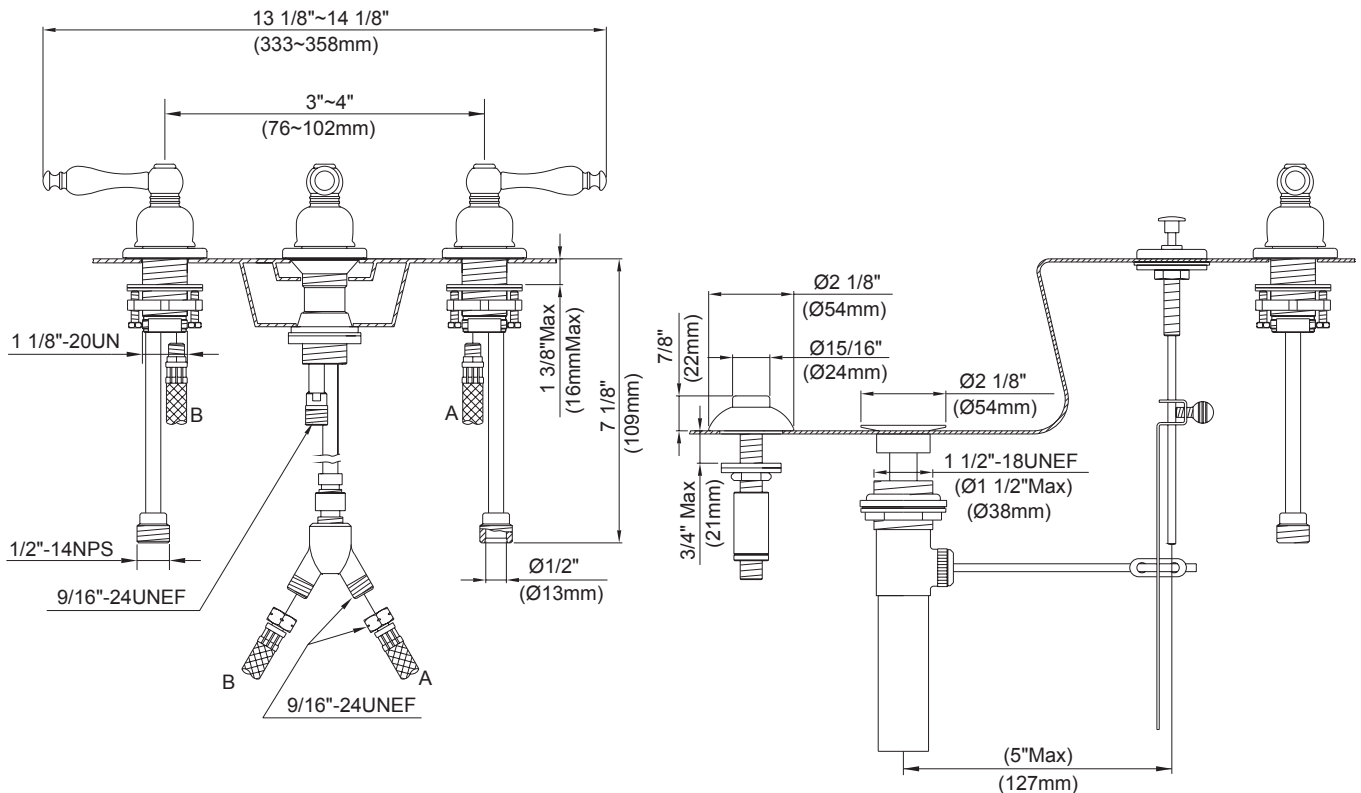
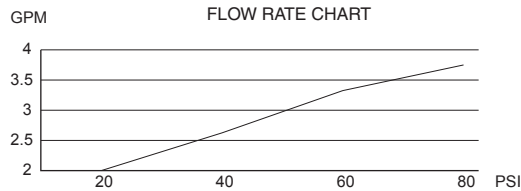


D326455
SHERIDAN™



Available Colors & Finish

- Chrome
- Brushed Nickel (BN)
- Chrome w/Polished Brass Accents (CPBV)
- Polished Brass (PBV)
- Oil Rub Bronze (RB)
- Satin Nickel w/Polished Brass Accents (SNPV)



Specific Features: _____ Submitted Model No.: _____

SD326455/07-05.01