

### TRIM LINE WIDESPREAD LAVATORY FAUCET


#### Description

- Touch down drain
- Ceramic disc cartridge - drip-free guaranteed!
- Install valves 6" - 12" on center

#### Flow & Valving

- See Chart

#### Standards

- ASME A112.18.1
- CSA B125
- NSF 61-9
- Listed IAPMO/UPC
- Energy policy act of 1992
- ADA Accessibility Guidelines for Buildings and Facilities - 4.27.4 Controls and Mechanisms 

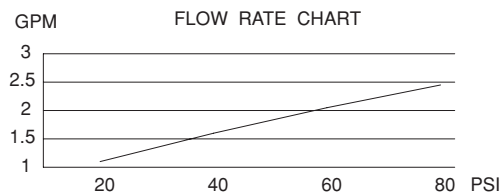


D331554  
SONORA™



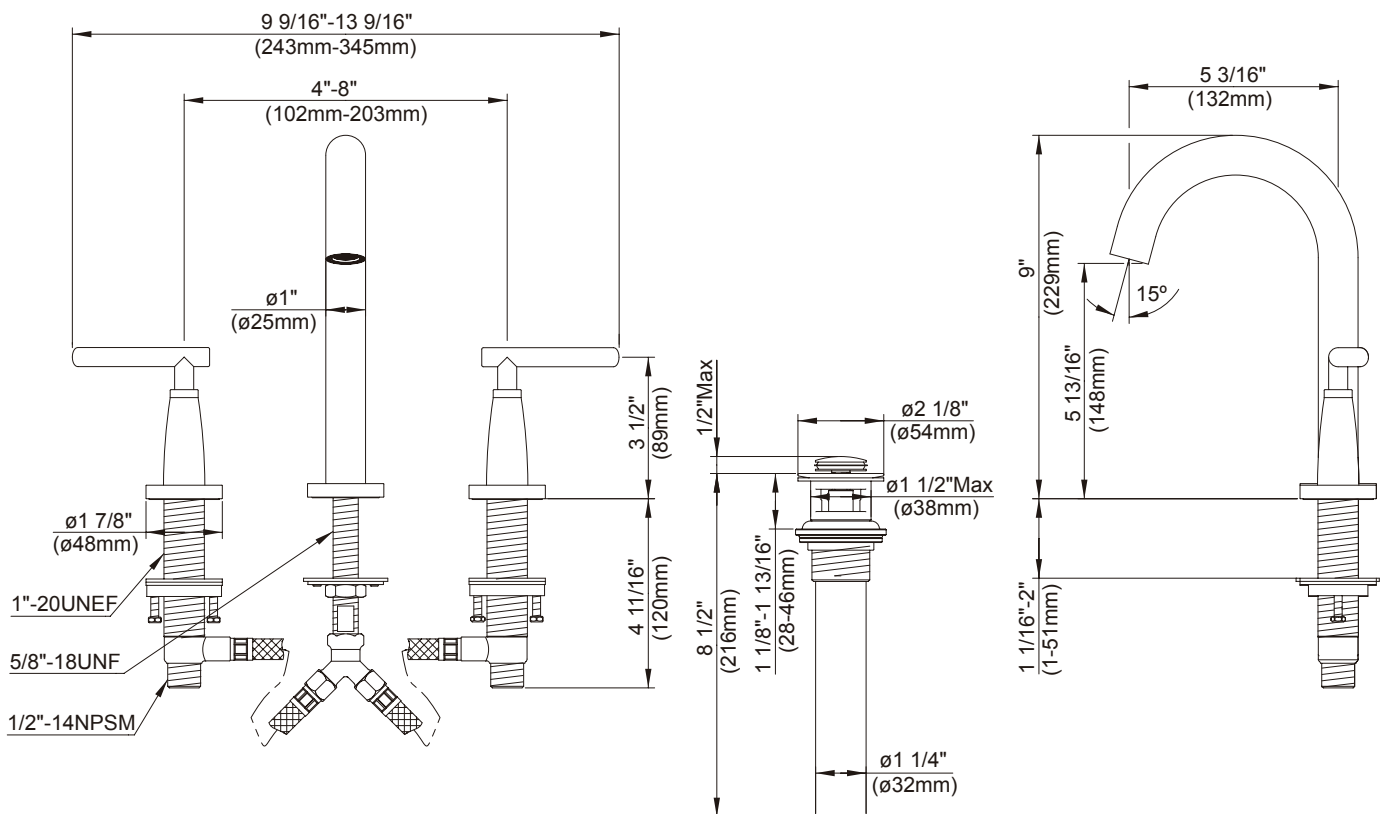
#### Available Colors & Finish

- Chrome
- Brushed Nickel (BN)
- Chrome with Satin Nickel Accents (CSN)



#### Warranty

Danze products are covered by a manufacturer's limited "lifetime" warranty for manufacturing defects.



Specific Features: \_\_\_\_\_ Submitted Model No.: \_\_\_\_\_

SD331554/04-07.01