

ROMAN TUB PERSONAL SPRAY

Description

- Personal Shower with Soft Touch control & integral diverter services*
- Fits all Roman tub faucets with rough-in D210000BT or D215000BT

Standards

- ASME A112.18.1
- CSA B125
- Listed IAPMO/UPC

Warranty

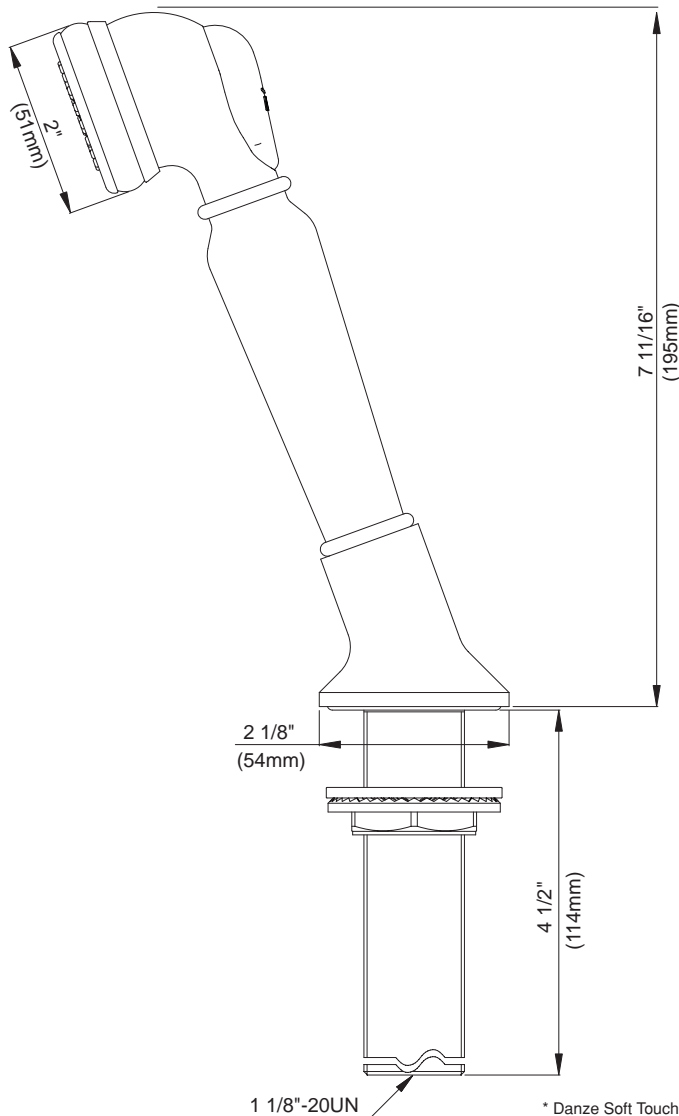
Danze faucets are covered by a manufacturer's limited "lifetime" warranty for manufacturing defects.



D491110

Available Colors & Finish

- Chrome
- Antique Copper (AC)
- Brushed Nickel (BN)
- Brushed Nickel with Polished Brass Accents (BNPV)
- Satin Black (BS)
- Chrome with Polished Brass Accents (CPBV)
- Distressed Nickel (DN)
- Polished Brass (PBV)
- Polished Nickel (PNV)
- Oil Rub Bronze (RB)
- Satin Nickel with Polished Brass Accents (SNPV)



* Danze Soft Touch Personal Shower™ is designed to operate only when the button is pressed; water will flow to the spout whenever pressure is released from the button.

Specific Features: _____ Submitted Model No.: _____

SD491110/01-07.01