

### THREE HANDLE PRESSURE BALANCE TUB & SHOWER FAUCET


#### Description

- 3 handle with self-cleaning two-function showerhead
- 1/2" slip spout fits 1/2" copper or 1/2" IPS stub-out
- Handle diverter
- Separate volume & temperature controls

#### Flow & Valving

- See Chart

#### Standards

- ASME A112.18.1
- CSA B125
- ASSE 1016
- Listed IAPMO/UPC
- Energy policy act of 1992
- ADA Accessibility Guidelines for Buildings and Facilities - 4.27.4 Controls and Mechanisms 

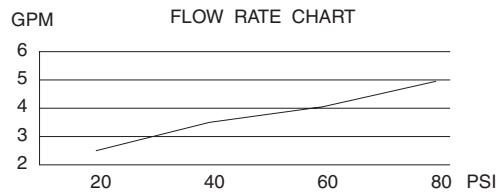


D500255  
SHERIDAN™



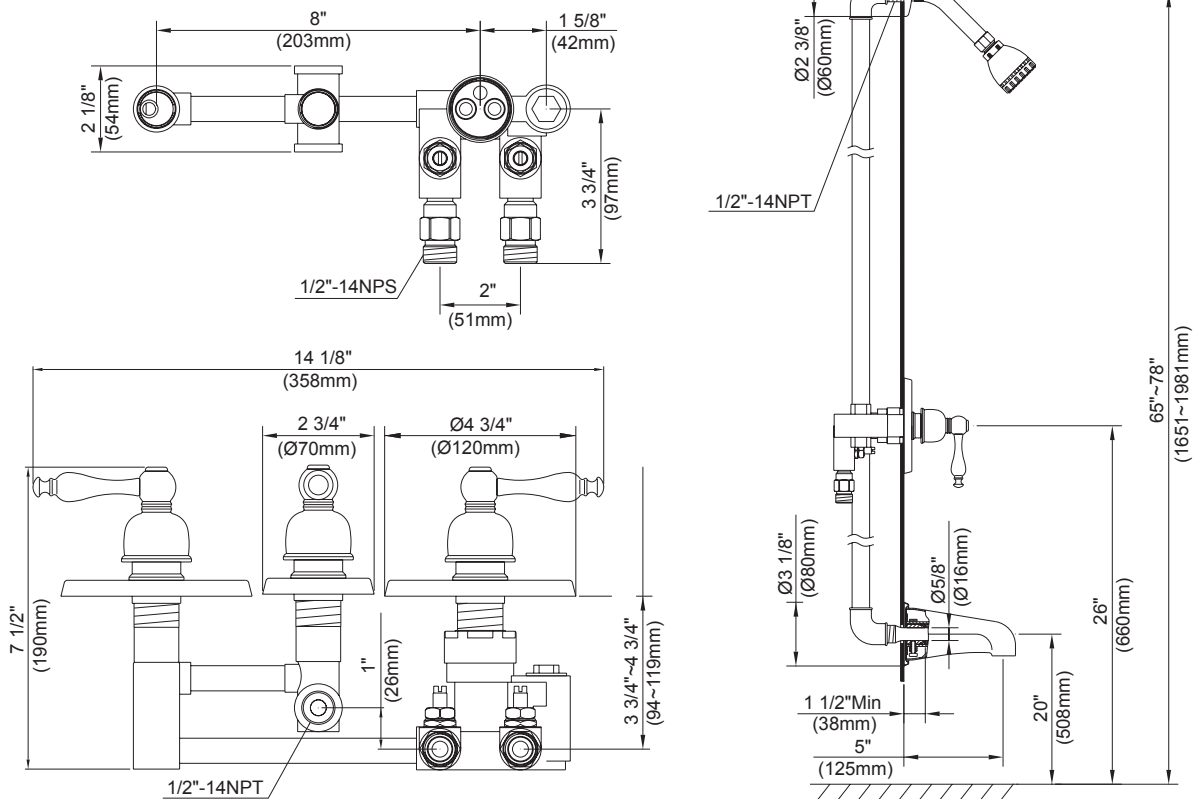
#### Available Colors & Finish

- Chrome



#### Warranty

Danze products are covered by a manufacturer's limited "lifetime" warranty for manufacturing defects.



Specific Features: \_\_\_\_\_ Submitted Model No.: \_\_\_\_\_