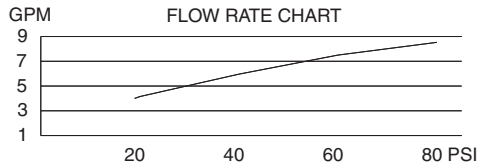


### SINGLE HANDLE PRESSURE BALANCE TUB & SHOWER FAUCET

#### Description

- Single handle w/4" bell showerhead
- Cast slip-fit spout
- Diverter on valve (Tub & Shower only)
- Back to back installation capabilities

#### Flow & Valving



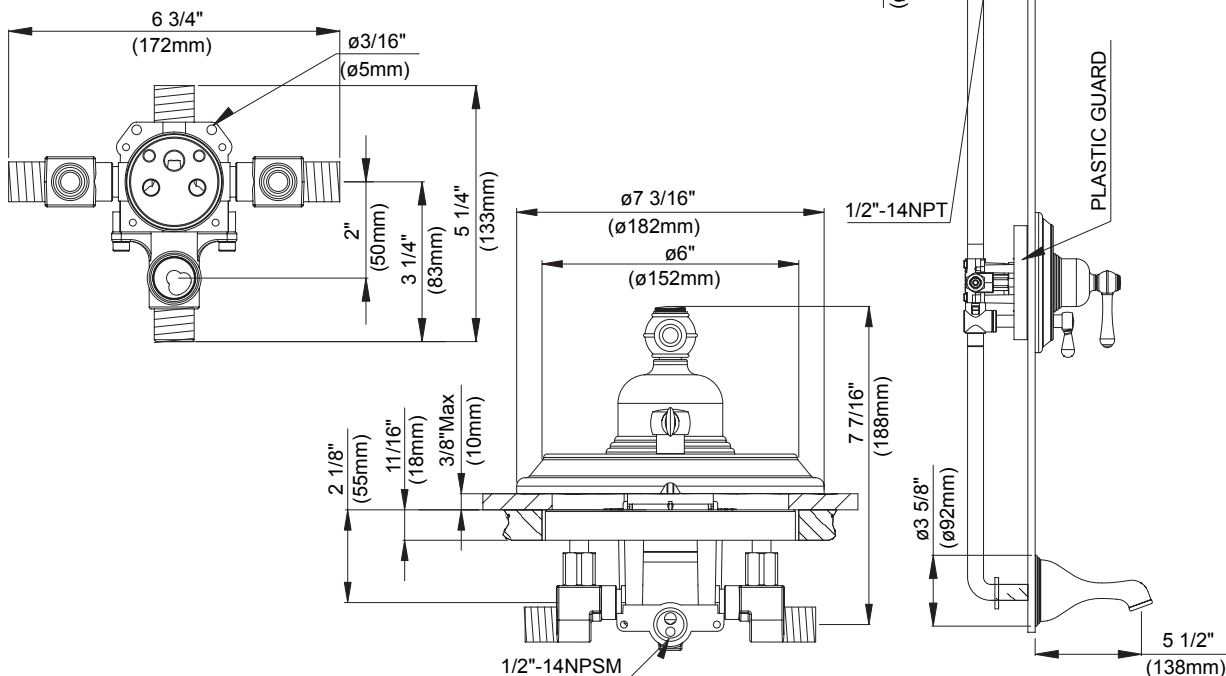
#### Standards

- ASME A112.18.1
- CSA B125
- ASSE 1016
- Energy policy act of 1992
- Listed IAPMO/UPC
- ADA Accessibility Guidelines for Buildings and Facilities - 4.27.4 Controls and Mechanisms

#### Warranty

Danze faucets are covered by a manufacturer's limited "lifetime" warranty for manufacturing defects.

#### W/DIVERTER & STOPS



D502157 (shown)  
OPULENCE™

**With Diverter & Stops:**  
D502157 (Tub/Shower)

**With Stops:**  
D502757 (Shower only)

#### Available Colors & Finish

- Chrome
- Antique Copper (AC)
- Brushed Nickel (BN)
- Satin Black (BS)
- Polished Brass (PBV)
- Polished Nickel (PNV)
- Oil Rub Bronze (RB)

#### Trim Kits :

- (for use w/pressure balance valves)
- D502157T (Tub/Shower trim)
  - D502757T (Shower only trim)
  - D500657T (Tub trim w/valve escutcheon)

#### Special Packaging

- This product also available with valve packaged separate from trim.
- Tub & Shower Trim Kit - use w/valve: D113000BT (w/diverter & stops)
- Shower Only & Tub Trim Kit - use w/valve: D112000BT (w/stops) or D115000BT (w/o stops)
- Pressure Balance Valves are combination 1/2" copper sweat, 1/2" NPT threaded connectors for all ports.

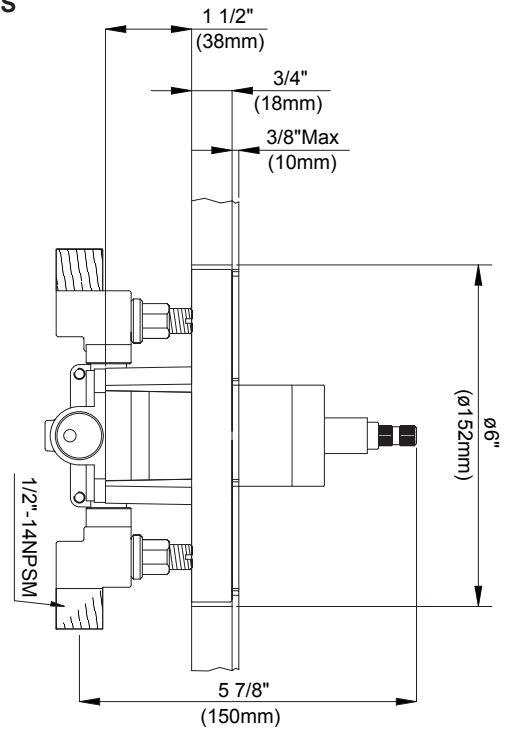
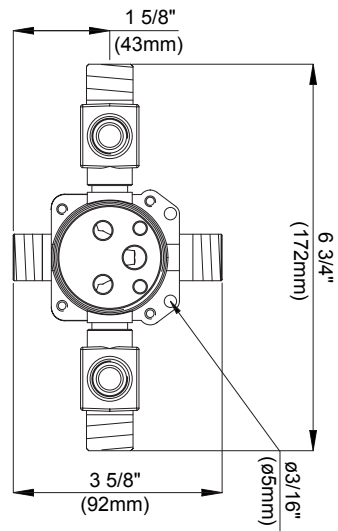
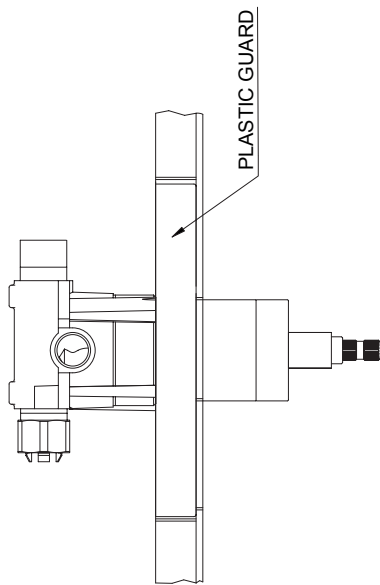
Specific Features: \_\_\_\_\_ Submitted Model No.: \_\_\_\_\_

SD502157/05-05.01

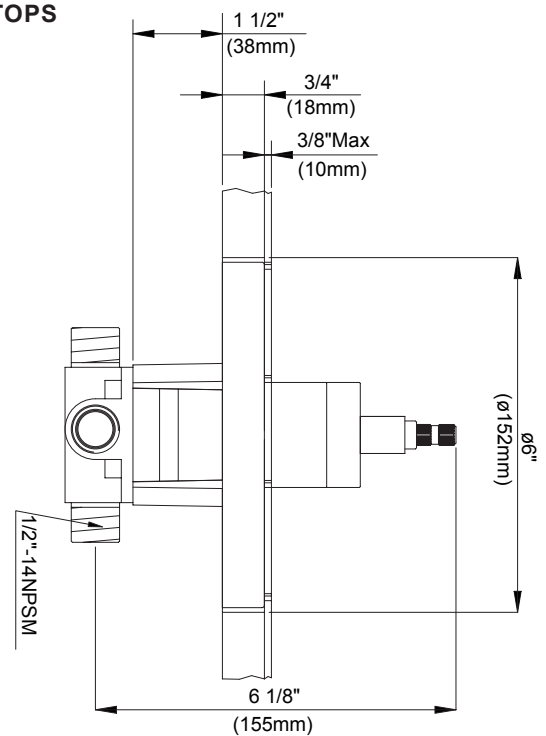
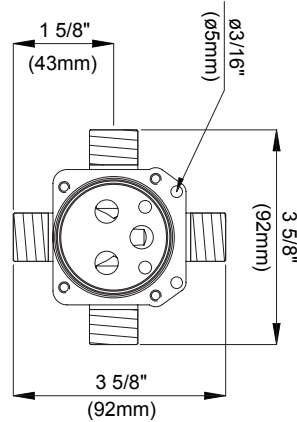
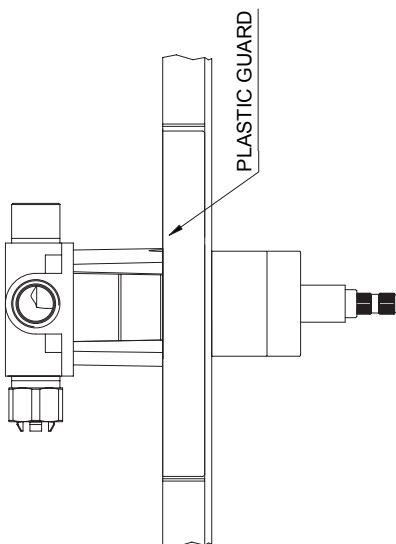
**SINGLE HANDLE PRESSURE BALANCE TUB & SHOWER VALVES**

Critical Dimensions : Rough-in valve D112000BT (w/stops) & D115000BT (w/o stops)

**W/SCREWDRIVER STOPS**



**LESS/SCREWDRIVER STOPS**



Specific Features: \_\_\_\_\_ Submitted Model No.: \_\_\_\_\_