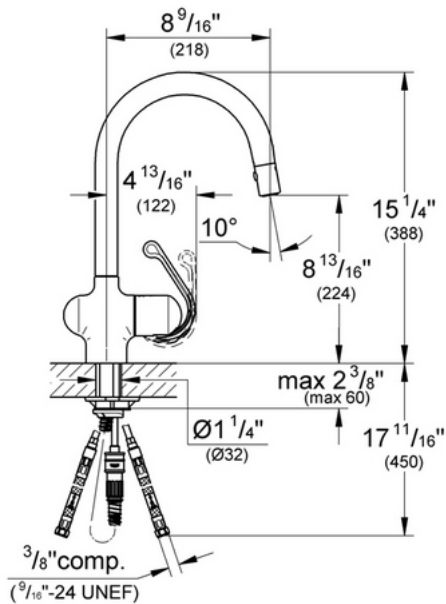


32 245 Dual Spray Pull Down



Description

GROHE RealSteel® - stainless steel construction
GROHE SilkMove® ceramic cartridge
SpeedClean® anti-lime system
Push Button Control - to switch from regular flow to spray
Quick installation system
Single lever handle
Variable handle positioning
Stainless steel braided flexible supplies
56" extractable hose
8 9/16" spout reach
360° swivel spout

Note: Solid Stainless Steel Handle. Spray head in Stainless Steel InfinityFinish.

IAPMO file # 1750

Installation note: For full handle movement when mounted in front of a wall or backsplash, this faucet must be installed with no less than 3 1/4" of clearance between the faucet and backsplash or wall, unless the faucet is installed with the handle facing forward (handle opposite the wall).

Flow Rate

2.2 gpm at 45 psi, 2.5 gpm at 80 psi
(9.5 lpm)

Code Compliance

ASME/ANSI A112.18.1M
ANSI/NSF Standard 61
ADA Compliant

Finish Options

32 245 SDO Stainless Steel