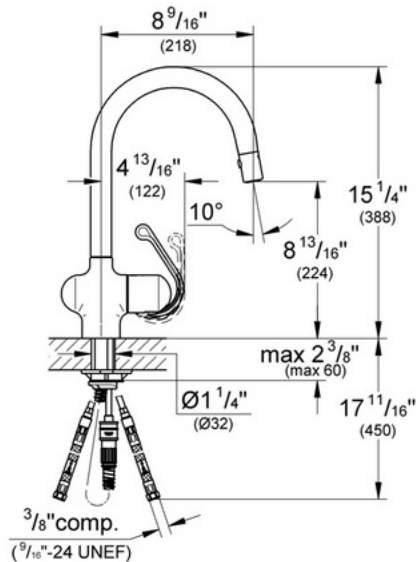


32 245 High Profile, Pull Down Spray - WaterCare



Description

GROHE WaterCare - 30% Water Savings. IAPMO Green Certified
GROHE RealSteel® - Stainless Steel Construction
GROHE SilkMove® Ceramic Cartridge
SpeedClean® Anti-Lime System
Push Button Control - to switch from regular flow to spray
Variable Handle Positioning (left, right, or center and all points in between)
Stainless Steel braided flexible supplies
Quick Installation System
56" Extractable Hose
8 9/16" Spout Reach
360° Swivel Spout
Note: Solid Stainless Steel Handle. Spray head in Stainless Steel InfinityFinish.
IAPMO File #1750

Flow Rate

1.5 gpm

Code Compliance

ASME/ANSI A112.18.1M
ANSI/NSF Standard 61
CSA Standard B125.1-05
ADA Compliant

Finish Options

32 245 SDE Stainless Steel