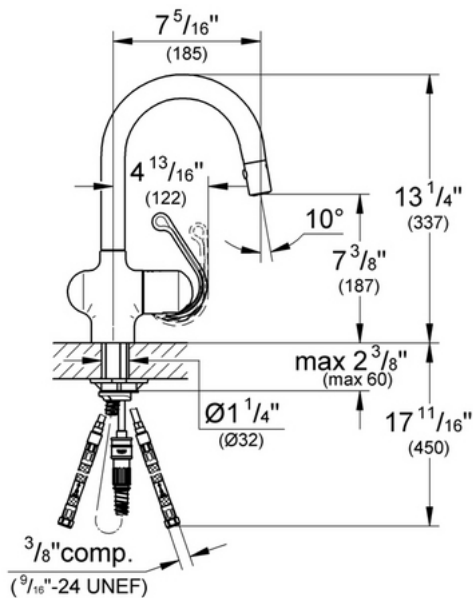


32 256 Prep Sink Dual Spray Pull Down



Description

GROHE RealSteel® - stainless steel construction
 GROHE SilkMove® ceramic cartridge
 SpeedClean® anti-lime system
 Push Button Control - to switch from regular flow to spray
 Quick installation system
 Single lever handle
 Variable handle positioning
 Stainless steel braided flexible supplies
 56" extractable hose
 7 5/16" spout reach
 360° swivel spout

IAPMO file # 1750

Note: Solid Stainless Steel Handle. Spray head in Stainless Steel InfinityFinish.

Installation note: For full handle movement when mounted in front of a wall or backsplash, this faucet must be installed with no less than 3 1/4" of clearance between the faucet and backsplash or wall, unless the faucet is installed with the handle facing forward (handle opposite the wall).

Flow Rate

2.2 gpm at 45 psi, 2.5 gpm at 80 psi
 (9.5 lpm)

Code Compliance

ASME/ANSI A112.18.1M
 ANSI/NSF Standard 61
 ADA Compliant

Finish Options

32 256 SDO Stainless Steel