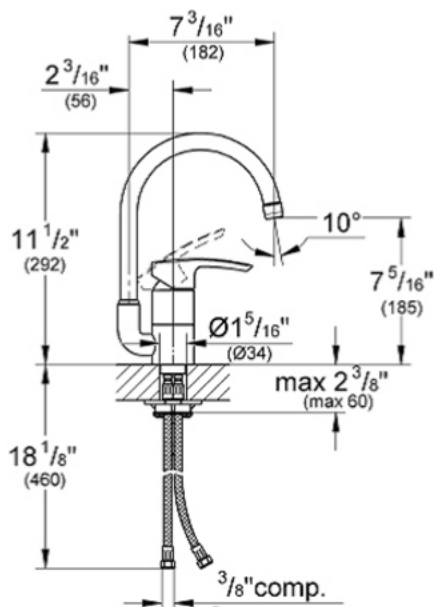


33 986 High Profile



Description

33986 001 replaces 33986 000
Lever handle
7 1/4" spout reach
Swivel spout
GROHE SilkMove® ceramic cartridge
Stainless steel braided flexible supplies
Quick installation system

Note: Replaces Euroeco 33 877

Flow Rate

2.2 gpm at 60 psi,
2.5 gpm at 80 psi or 9.5 lpm

Code Compliance

ASME/ANSI A112.18.1M
ANSI/NSF Standard 61
ADA Compliant

Finish Options

33 986 001 Starlight® Chrome
33 986 EN1 Infinity Brushed Nickel