

# Shower Bases

## MTSB-4848 Center Drain/Square

### CONSTRUCTION AND STANDARD FEATURES

- Single, front threshold.
- Durable Lucite® cast acrylic shell is extremely scratch- and stain-resistant, yet renewable because the color goes all the way through the material.
- Non-porous surface makes cleaning and sanitizing faster and more effective.
- Multi-layered backing of thick fiberglass / resin / titanium encloses wood reinforcement to prevent flexing of floor pan.
- At least 30% thicker and stronger than other makes.
- Pre-levleled with integral tile flange on 3 sides to facilitate installation.
- Textured bottom that meets ASTM F-462-1994 certification requirements for safer showering.
- NAHB Certified.
- 10-year Limited Residential Warranty.



### MTSB-4848

(SB4848)

#### COLORS

Standard: White, Bone, Biscuit, Almond

Optional:

Group 1 (See p I-1)

Group 2 (See p I-1)

#### OPTIONS

Drain Kits

Polished Chrome

Polished Brass

Brushed Nickel

Special Finish (Allow 2 weeks)

(SBDKB)

(SBDKBN)

(SBDKSF)

Teak Shower Tray

(TK-4848)

Shower Enclosure(s) Available

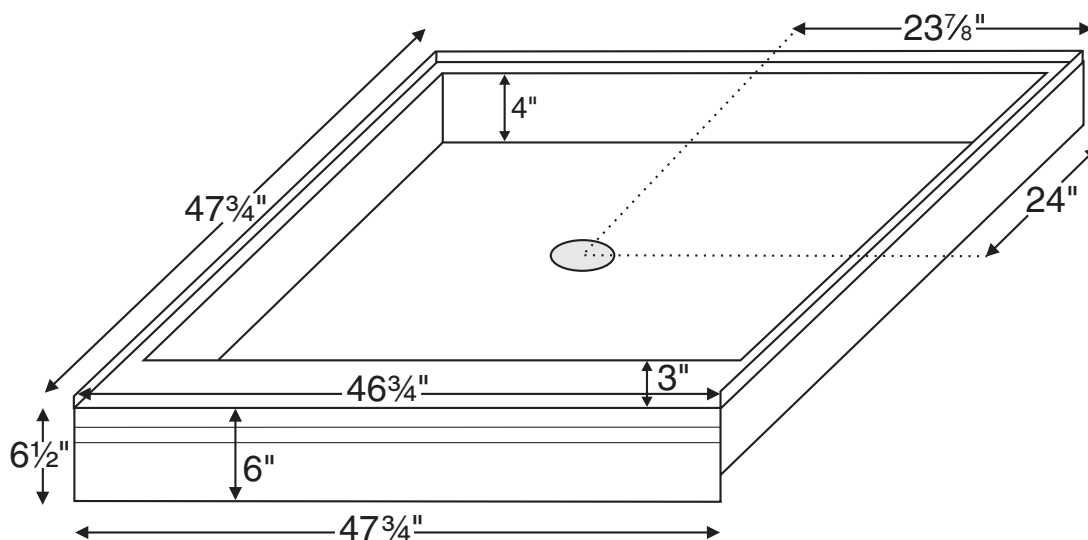
Pre-levleled Foam Base

(PLFSB)

Quick Ship / Priority. Call for availability.

(QUISINKSH)

47.75" x 47.75" x 6" deep



INSTALLATION: MTI recommends Quikrete Sand Mix for proper bedding. See installation instructions. Measurements are  $\pm 1/2"$  and are subject to change without notice. Data herein supersedes all previous prior to publication date indicated below.