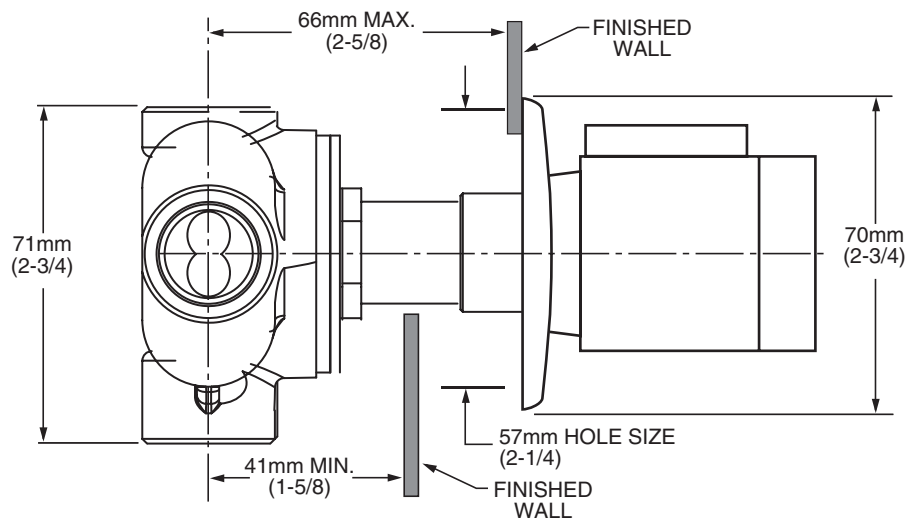


MODEL NUMBER:

- 1660.440 Two-Way In-Wall Diverter**
1/2" NPT inlets/outlets
- 1660.430 Three-Way In-Wall Diverter**
1/2" NPT inlets/outlets

NOTE: Cannot be used as a shut-off valve.

ALL CONNECTIONS 1/2" NPT



GENERAL DESCRIPTION:

In-Wall Diverter: Rotational control alternates water flow between two (1660.440) or three (1660.430) different shower outlets (i.e. showerhead, handspray, body side spray or tub spout). Forged brass valve body. Mixed water inlet and two (1660.440) or three (1660.430) outlets are marked on back of valve body. 1/2" NPT connections on mixed water inlet and two (1660.440) or three (1660.430) outlets. Stamped brass escutcheon. Tub port with increased water flow (see chart).

NOTE: Cannot be used as a shut-off valve.

PRODUCT FEATURES:

Solid Brass Construction: Durable, ideal material for prolonged contact with water.

Removable Plaster Guard: Permits checking of valve installation prior to installing trim parts.

Choice of Finishes: Wide range of durable finishes.

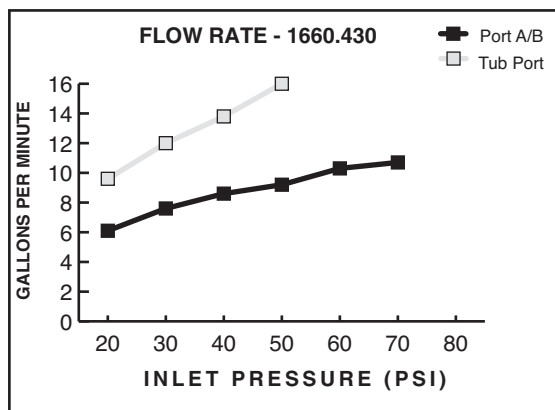
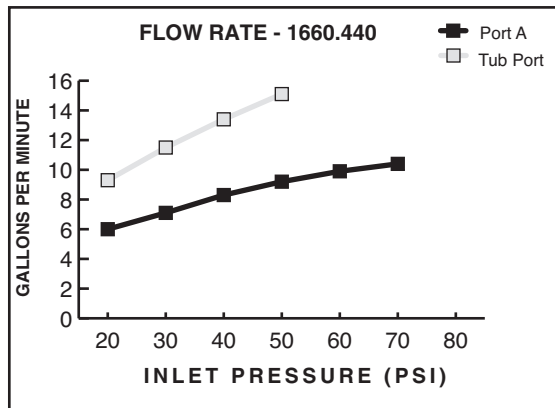
SUGGESTED SPECIFICATION

Two (three) way diverter shall feature a forged brass body with 1/2" NPT mixed water inlet and outlets. Fitting shall be American Standard Model # 1660.4_0.____.

CODES AND STANDARDS

These products meet or exceed the following codes and standards:

ASME A112.18.1



COMPLETE KITS	Product Number	Description	Finish Options	
			Polished Chrome	PVD Satin Nickel
			002	295
1660.440	CERATHERM Two-Way In-Wall Diverter with Handle. Includes valve.			
1660.430	CERATHERM Three-Way In-Wall Diverter with Handle. Includes valve.			