

## DESCRIPTION

- Metal construction with chrome plated, antique nickel, oil rubbed bronze, wrought iron finishes, LifeShine® polished brass or brushed nickel finishes
- 1/2" IPS connections
- Includes metal pop-up type waste assembly on T6103 series models

## OPERATION

- Lever style handles
- Maximum handle rotation angle is 90° to full on for either handle

## FLOW

- Aerator is limited to 2.2 gpm (8.3 L/min)

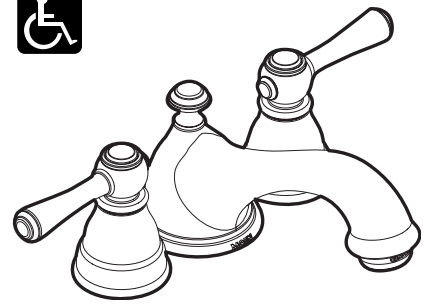
## STANDARDS

- Third party certified by CSA to meet CSA B-125, ASME A112.18.1M and all applicable requirements referenced therein and complies with the applicable requirements of ANSI A117.1
- Certified to ANSI/NSF 61/9
- Complies with California Proposition 65 and with the Federal Safe Water Drinking Act

## WARRANTY

- Lifetime limited warranty against leaks, drips and finish defects to the original consumer purchaser
- 5 year warranty if used in commercial installations

ADA



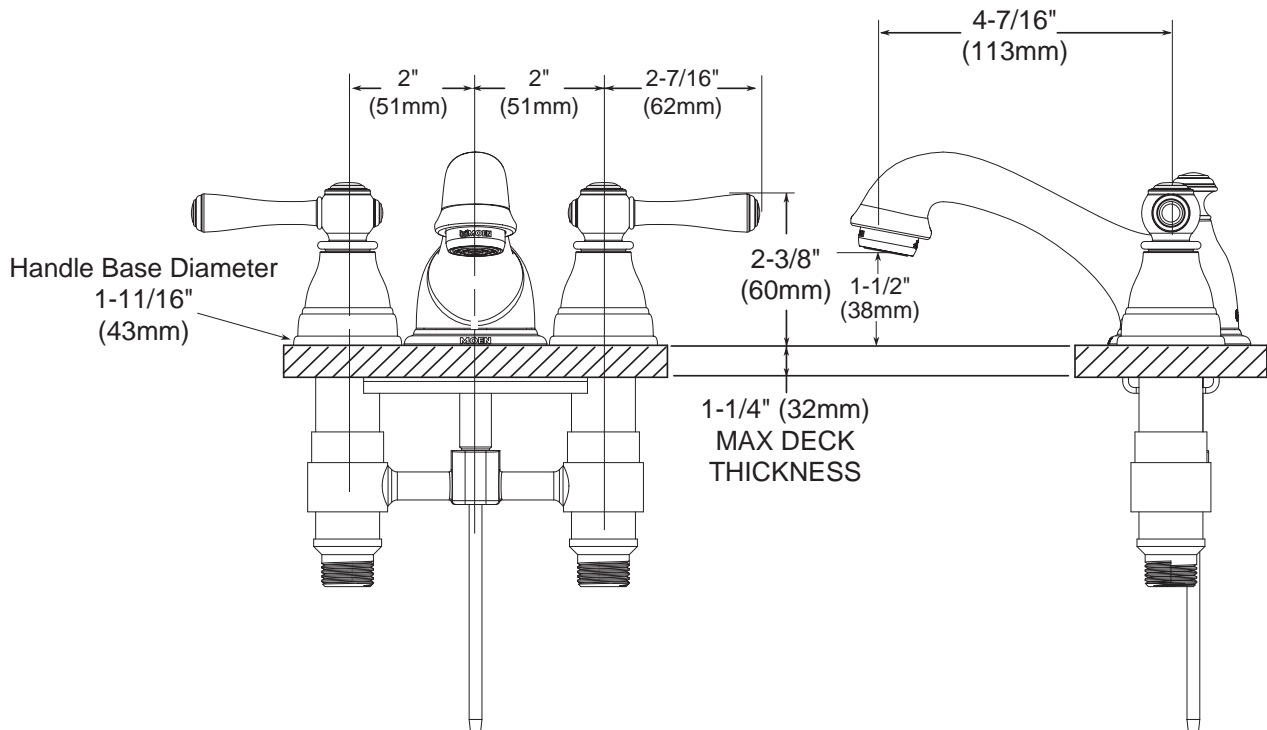
**KINGSLEY™**

**Mini-Widespread Lavatory Faucet Trim**

**Models: T6103, T6103CP, T6103P,  
T6103BN, T6103WR, T6103AN, T6103ORB**

**Valve: 9300, 69300**

**NOTE: THIS FAUCET IS DESIGNED TO BE  
INSTALLED THRU 3 HOLES,  
1-1/8" (29mm) MIN. DIA.**



## CRITICAL DIMENSIONS

(DO NOT SCALE)