

## DESCRIPTION

- Hydrolock™ quick connect system
- Metal construction with chrome plated, antique nickel, oil rubbed bronze, wrought iron, LifeShine® polished brass or brushed nickel finishes
- 1/2" IPS connections
- Includes hot and cold indicators
- Includes metal pop-up type waste assembly

## OPERATION

- Lever style handles
- Maximum handle rotation angle is 90° to full on for either handle
- Hot side counterclockwise to open (clockwise to close)
- Cold side clockwise to open (counterclockwise to close)

## FLOW

- Aerator is limited to 2.2 gpm max (8.3 L/min)

## CARTRIDGE

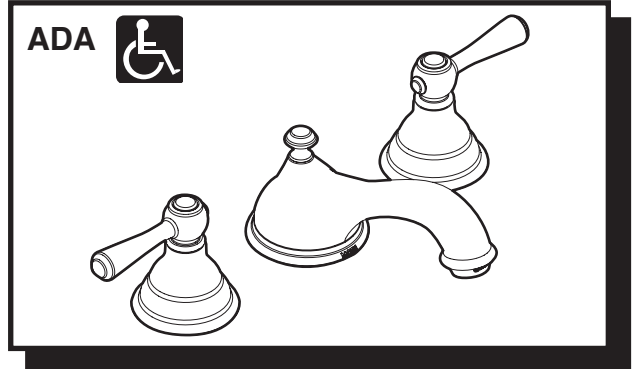
- 1224 cartridge design
- Nonmetallic and stainless steel material

## STANDARDS

- Third party certified by CSA and IAPMO to meet ASME A112.18.1M and all applicable requirements referenced therein and complies with the applicable requirements of ANSI A117.1
- Certified to ANSI/NSF 61/9
- Complies with California Proposition 65 and with the Federal Safe Water Drinking Act

## WARRANTY

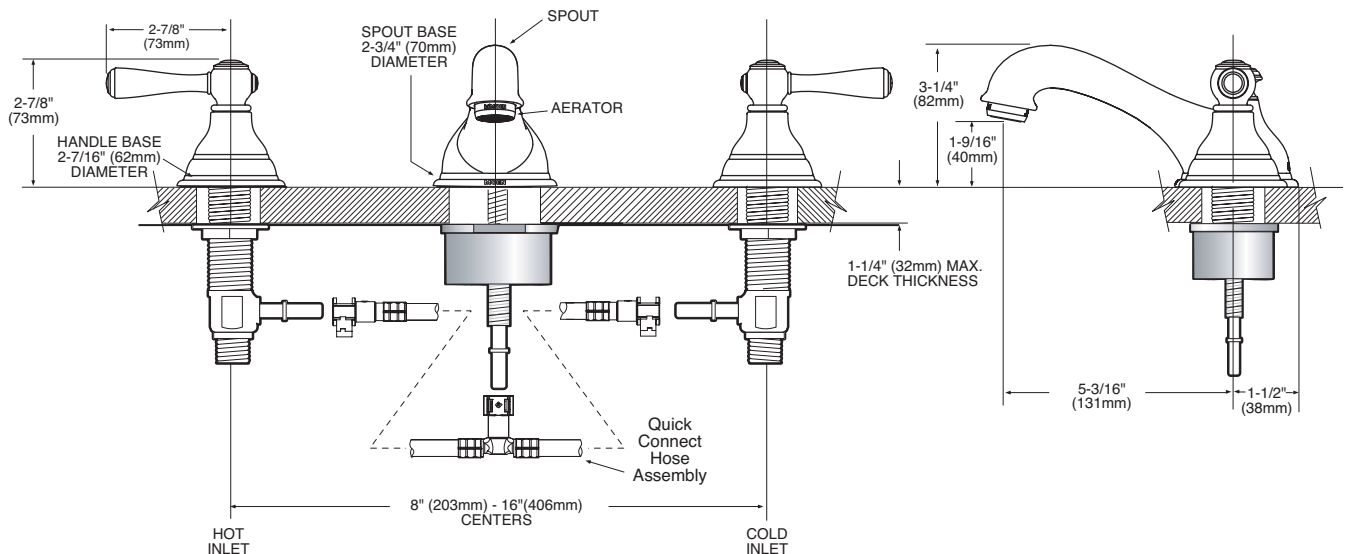
- Lifetime limited warranty against leaks, drips and finish defects to the original consumer purchaser
- 5 year warranty if used in commercial installations



## KINGSLEY™ Two-Handle Widespread Lavatory Faucet

Models: T6105, T6105CP, T6105P, T6105BN,  
T6105WR, T6105AN, T6105ORB

**NOTE:** THIS FAUCET IS DESIGNED TO BE  
INSTALLED THRU 3 HOLES, 1" MIN. DIA.



## CRITICAL DIMENSIONS

(DO NOT SCALE)