



Buy it for looks. Buy it for life.®

### DESCRIPTION

- Metal construction with chrome plated, chrome w/porcelain, chrome w/LifeShine® polished brass accents, LifeShine® brushed nickel, satine w/LifeShine® polished brass accents
- For installations from 8" (203mm) to 10" (254mm) centers
- Designed to be installed on decks up to 2-1/8" (54mm)
- The tub fill spout is a slip fit design and the supplies are 1/2" type K, copper tubing
- Includes hot (red) and cold (blue) temperature indicators

### OPERATION

- Lever style handles
- Rotate hot side handle counterclockwise to open (clockwise to close) and the cold side handle (clockwise to open) and (counterclockwise to close)

### FLOW

- Designed to deliver 18 gpm at 40 psi (68L/min)

### CARTRIDGE

- 1248 cartridge design

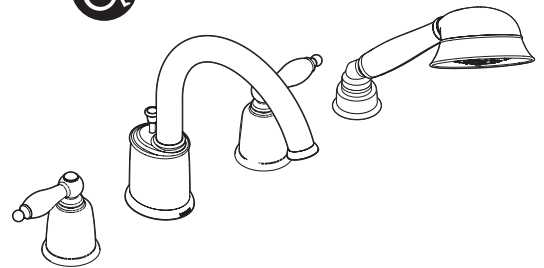
### STANDARDS

- Third party certified to meet CSA B-125, ASME A112.18.1M, ANSI A117.1 and all applicable requirements referenced therein

### WARRANTY

- Lifetime limited warranty against leaks, drips and finish defects to the original consumer purchaser
- 5 year warranty if used in commercial installations

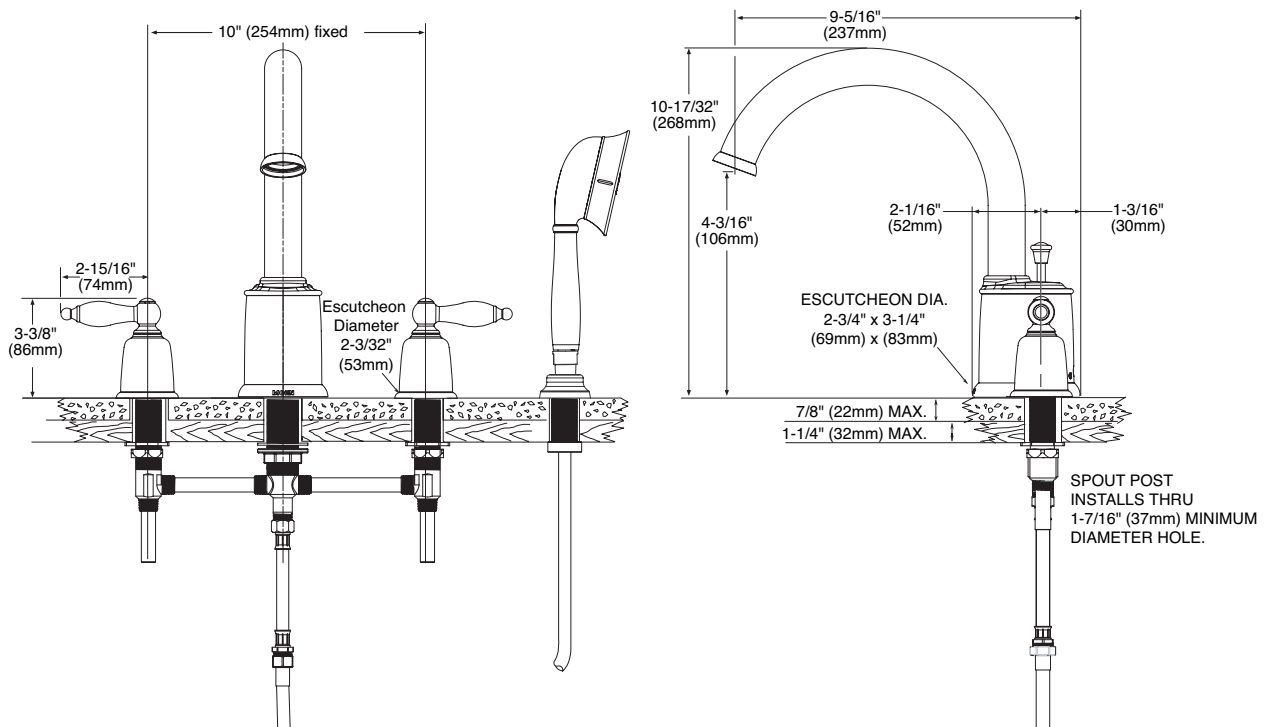
# Specifications



## CASTLEBY™ DECK MOUNT Two-Handle Roman Tub w/Built In Diverter Valve Faucet

Models: T6989, T6989BN, T6989CPC,  
T6989CP, T6989ST, T6989STST

Valve: 9997, 9999



**NOTE: THE INSTALLATION SHOWN IS FOR TILE DECKS, THIS VALVE WILL ALSO FIT STEEL, CAST IRON OR PLASTIC DECKS**