



Buy it for looks. Buy it for life.®

Specifications

DESCRIPTION

- Metal construction with chrome plated or wrought iron finishes or LifeShine® polished brass, brushed nickel finishes
- For installations from 8" (203mm) to 10" (254mm) centers
- Designed to be installed on decks up to 2-1/8" (54mm)
- The tub fill spout is a slip fit design and the supplies are 1/2" type K, copper tubing
- Hot and Cold indicators included

OPERATION

- Lever style handles
- Can be installed with any Moen Deck Mounted Roman Tub Trim Kit
- Rotate hot side handle counterclockwise to open (clockwise to close) and the cold side handle (clockwise to open) and (counterclockwise to close)

FLOW

- Designed to deliver 18 gpm at 40 psi (68 L/min).

CARTRIDGE

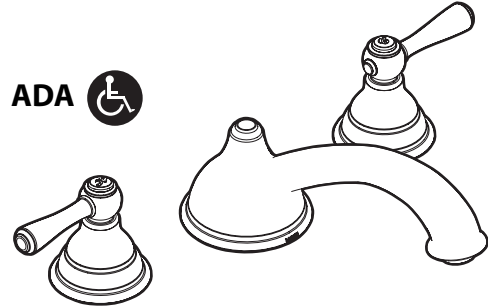
- Nonmetallic and stainless steel materials

STANDARDS

- Designed and manufactured to comply with the applicable requirements of: CSA B-125 and ASME A112.18.1M and all applicable requirements referenced therein and complies with the applicable requirements of ANSI A117.1

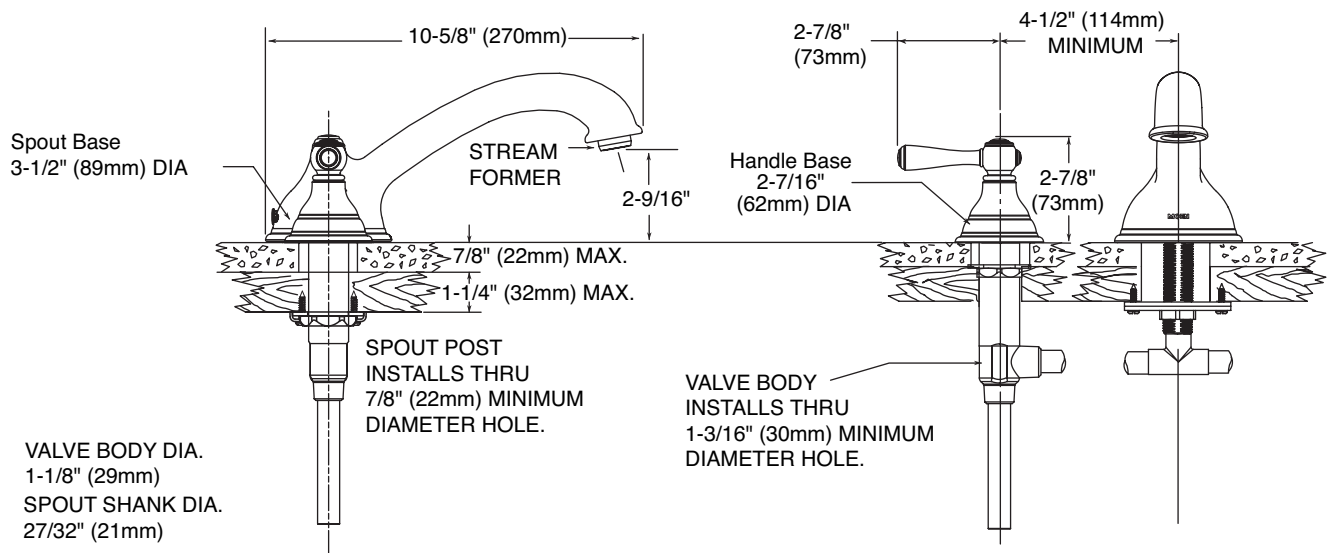
WARRANTY

- Lifetime limited warranty against leaks, drips and finish defects to the original consumer purchaser
- 5 year warranty if used in commercial installations



KINGSLEY™
Roman Tub Trim Only

Models: T910, T910CP,
T910BN, T910P, T910WR



NOTE: THE INSTALLATION SHOWN IS FOR TILE DECKS, THIS VALVE WILL ALSO FIT STEEL, CAST IRON OR PLASTIC DECKS

CRITICAL DIMENSIONS

(DO NOT SCALE)

FOR MORE INFORMATION CALL: 1-800-BUY-MOEN
www.moen.com