

## DESCRIPTION

- Metal construction with chrome plated, antique nickel, oil rubbed bronze, wrought iron, LifeShine® polished brass or brushed nickel finishes
- For installations from 8" (203mm) to 10" (254mm) centers
- Designed to be installed on decks up to 2-1/8" (54mm)
- The tub fill spout is a slip fit design and the supplies are 1/2" type K, copper tubing
- Includes hot and cold temperature indicators

## OPERATION

- Lever style handles
- Rotate hot side handle counterclockwise to open (clockwise to close) and the cold side handle (clockwise to open) and (counterclockwise to close)

## FLOW

- Designed to deliver 18 gpm at 40 psi (68L/min)

## CARTRIDGE

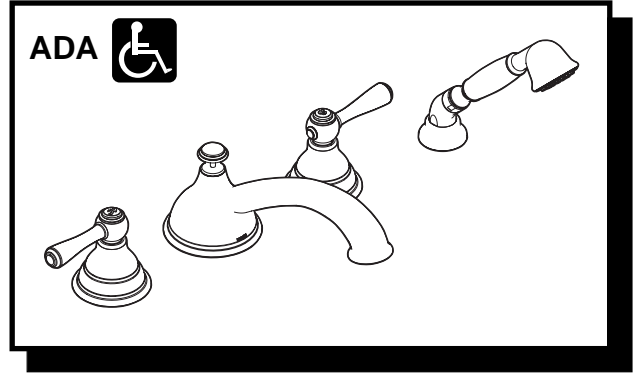
- 1248 cartridge design

## STANDARDS

- Third party certified to meet CSA B-125, ASME A112.18.1M, ANSI A117.1 and all applicable requirements referenced therein

## WARRANTY

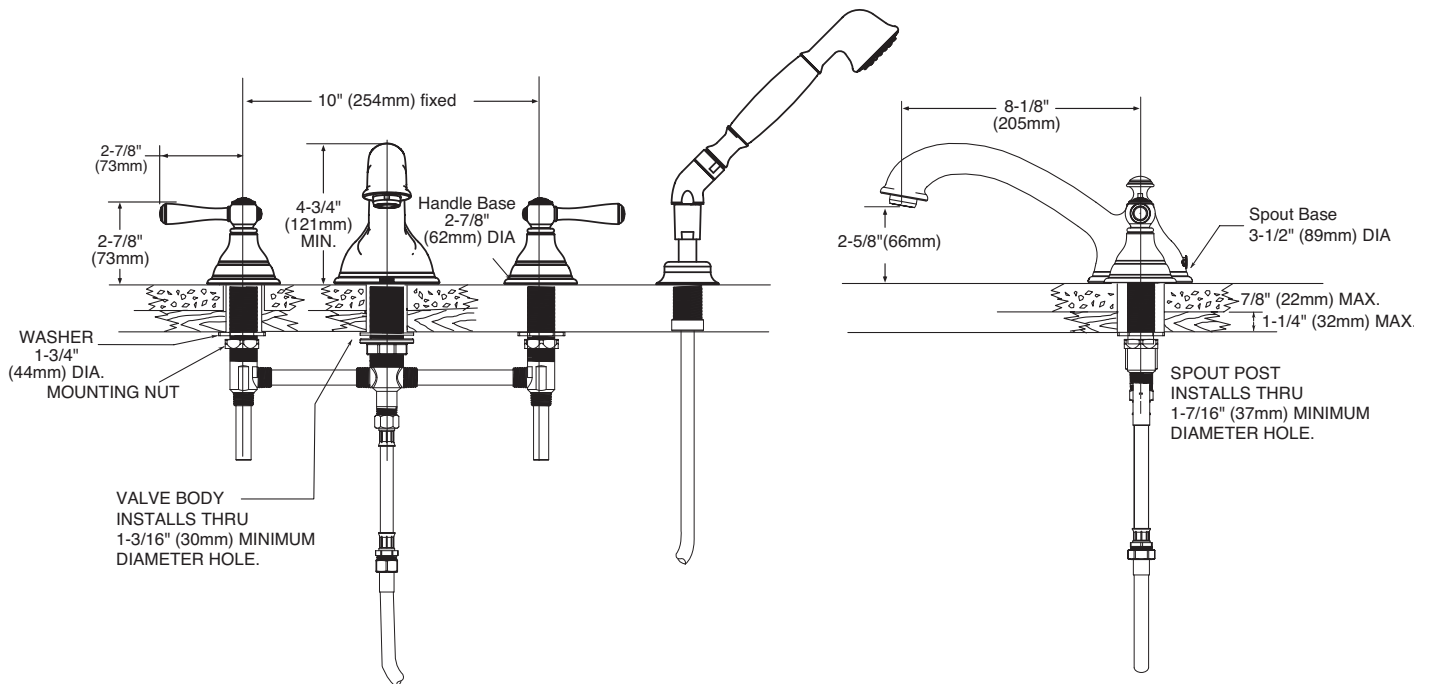
- Lifetime limited warranty against leaks, drips and finish defects to the original consumer purchaser
- 5 year warranty if used in commercial installations



### KINGSLEY™ DECK MOUNT Two-Handle Roman Tub Faucet w/Built In Diverter Valve

Models: T912, T912BN, T912CP, T912P,  
T912WR, T912AN, T912ORB

Valve: 9997, 9999



**NOTE: THE INSTALLATION SHOWN IS FOR TILE DECKS, THIS VALVE WILL ALSO FIT STEEL, CAST IRON OR PLASTIC DECKS**