



3050 Campus Drive, Suite 500 • Hatfield, PA 19440
Customer Service: 1.800.626.5771

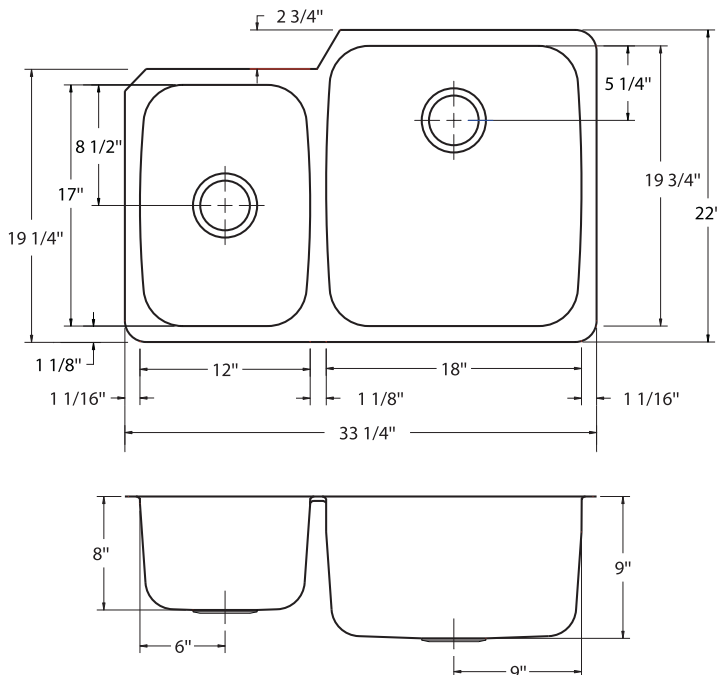
- 18-10 Stainless Steel
- Fully Undercoated
- Masonite Template Supplied
- Two I135 Drain Assemblies Included
- Limited Lifetime Buyer Warranty



Fits 36" Cabinet. Special installation required. Consult with fabricator.

| Model # | Faucet Holes | Finish Deck/Bowl | Bowl Size ↕ X ↔ | Sink Depth | Overall Dimension | Gauge | Cutout Dimension |
|----------------|--------------|------------------|----------------------------------|----------------|-------------------|-------|--------------------|
| UCL2233/90RK/E | NA | Radiant/Silk | L: 17" x 12" R: 19 3/4" x 18" | L: 8" R: 9" | 22" x 33 1/4" | 18 | Refer To Template* |

*DXF files are available for use with CNC equipment. Visit our website.



JOB NAME: _____

DATE: _____

CUSTOMER: _____

MODEL SPECIFIED: _____

QUANTITY: _____

ARCHITECT/ENGINEER: _____

CONTRACTOR: _____