



US169/60K



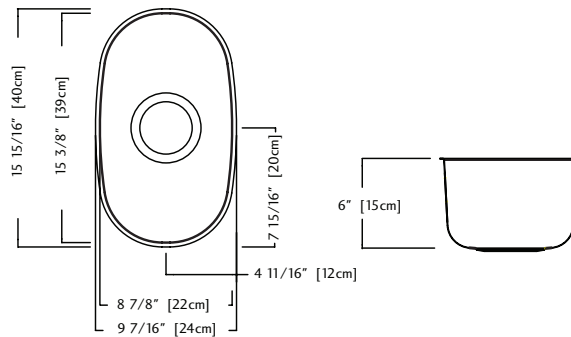
Optional Accessories



MB100



CLC167



**US169/60K SPECIFICATION**

Model US169/60K is a single bowl undermount sink, suitable for waste disposal installation, manufactured for Franke Consumer Products from 20 gauge stainless steel. Product has a sheen finished rim and radiant silk finished bowl. Sink is fully undercoated. Installation hardware and template is included. Sink is backed with a limited buyer lifetime warranty.

- O.D. 15 15/16" x 9 7/16" x 6" deep (40 x 24 x 15 cm deep)
- **Recommended for minimum 15" base cabinet**

FUN# 112.0035.659