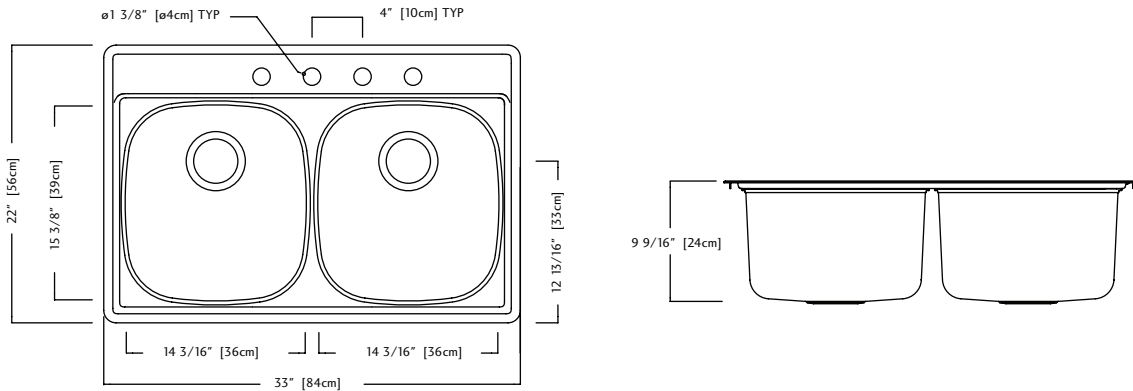




**Optional Accessories**



**D2233/95MK/E SPECIFICATION**

Model D2233/95MK/E is a double bowl sink with faucet ledge manufactured for Franke Consumer Products from 18 gauge stainless steel. Product has a mirror finished rim and radiant silk finished bowls. Sink is fully undercoated. Installation kit is included. Sink is backed with a limited buyer lifetime warranty.

- O.D. 22" x 33" x 9 9 /16" deep (56 x 84 x 24 cm deep)
- **Recommended for minimum 36" cabinet**

D2233/95MK/3E 3 hole - 1 1/2" diameter, 4" center-to-center FUN# 101.0031.299

D2233/95MK/4E 4 hole, 4th hole on right hand side FUN# 101.0031.300

D2233/95MK/1E 1 hole on center FUN# 101.0031.298