

Atwood Technical Specification

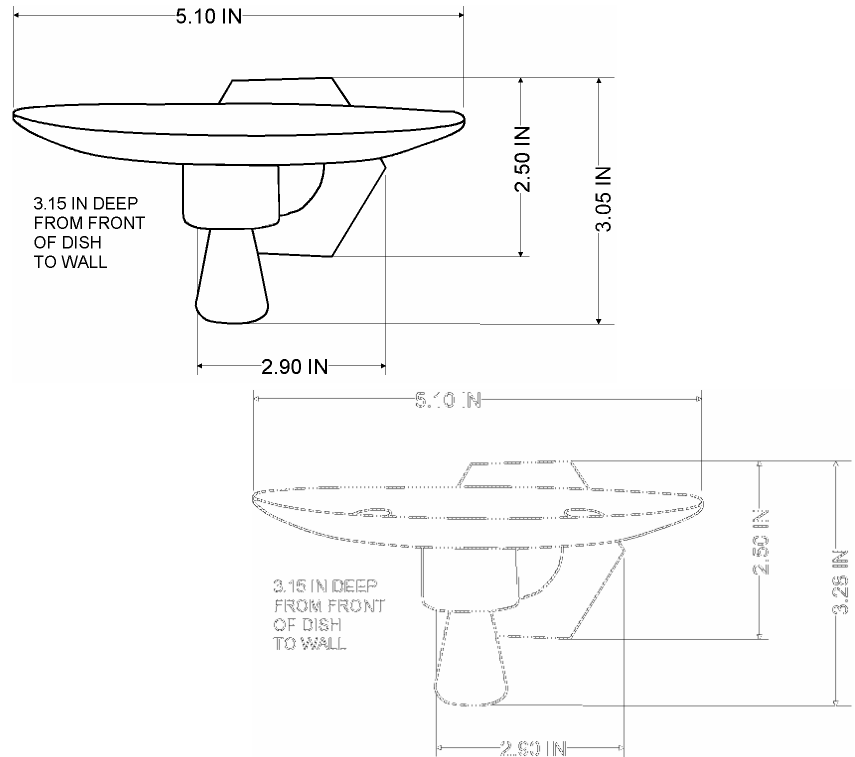
Toothbrush / Tumbler Holder & Soap Dish

DN2744 & DN2766

Stock Numbers:

- q DN2744PW – Wall Mounted Toothbrush / Tumbler Holder Pewter Finish
- q DN2766PW – Wall Mounted Soap Holder Pewter Finish

Dimensions:



Materials:

Soap Holders and Toothbrush / Tumbler Holders are constructed of solid brass. Soap holder and toothbrush holder dish are acrylic plastic.

Installation Instructions:

1. Mounting hardware is included in the packaging.
2. Remove the mounting bracket and the setscrew from the hardware kit bag.
3. Install the setscrew into the base. Only thread the screw in 2-3 turns.
4. Position the assembled base on the wall where desired.
5. Lightly mark the outline of the base(s).
6. Center the mounting bracket in the outline. Position the long side of the bracket horizontally. The flat side is to be against the wall.
7. Mark the location of the 2 oval holes for each bracket.
8. Drill holes into the wall at the center of each oval marked location.
9. Insert the wall anchors (provided) into the drilled holes.
10. Place the wall bracket over the installed wall anchors. Thread the screws provided through the wall bracket oval holes into the wall anchors.
11. Mount the base of the product over the bracket and tighten the setscrew at the bottom of the base.

Cleaning Instructions:

To preserve the fine finish of this product, clean only with a soft damp cloth. Dry well. Do not use commercial or abrasive cleaners.

Stock Number: _____ Soap Dish / Toothbrush Holder
By CSI Bath Furnishings

