



FLORESTONE  
MODEL FM  
UTILITY SINK

23 $\frac{3}{8}$ " x 22 $\frac{3}{8}$ " x 35 $\frac{1}{2}$ "

	Weight:
FM-1 (1/Box):	30 lbs.
FM-3 (3/Box):	85 lbs.
Capacity:	20 gallons

**Architect's Specifications**

Furnish and install Utility Sink Model FM as manufactured by Florestone Products Co. Floor mounted sink to come with four (4) heavy duty molded legs and the hardware to attach legs to the sink. Color will be white and will be resistant to fading and abrasion. Unit to have 1 $\frac{1}{2}$ " drain opening.

**Options and Accessories**

- FM Accessory Kit
- Drain Plugs with Hardware
- Set of Legs (4) – Heavy duty molded legs

**Standards**



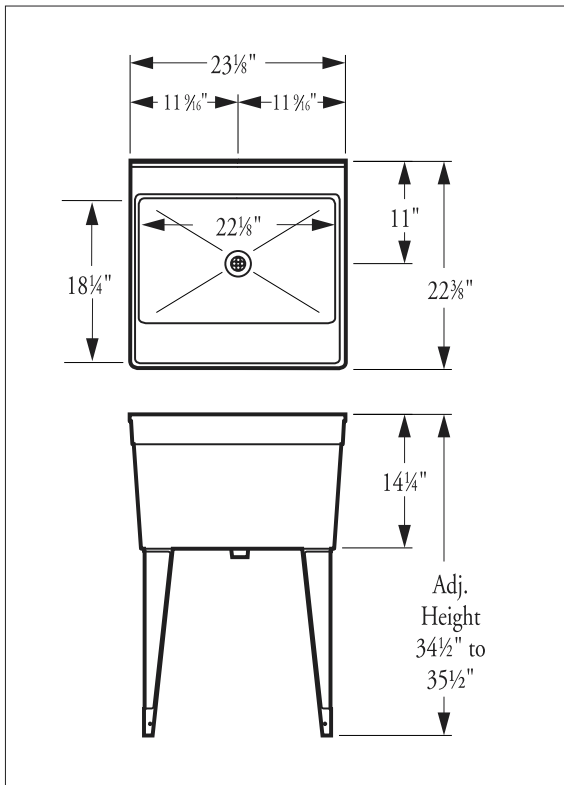
I.A.P.M.O. File No. 2647

ANSI-Z 124.6 -97



CSA Test • Warnock Hersey Listed:

CAN/CSA-B45.0 — CAN/CSA-B45.5



Inside Tray Dimensions: 18 $\frac{1}{4}$ " x 22 $\frac{3}{8}$ "

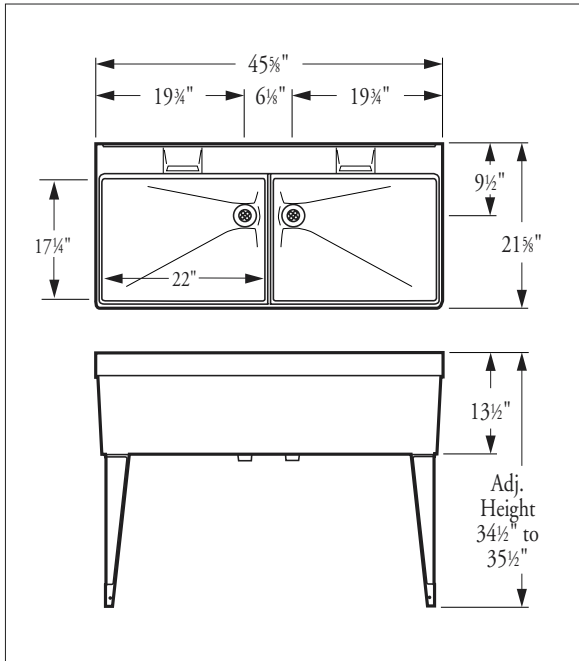


**FLORESTONE PRODUCTS CO., INC.**

2851 Falcon Dr. • Madera, CA 93637-9287

Tel: 559-661-4171 • Fax: 559-661-2070

www.florestone.com



Inside Tray Dimensions: 17¼" x 22"

**Standards**



I.A.P.M.O. File No. 2647

ANSI-Z 124.6 -97



CSA Test • Warnock Hersey Listed:

CAN/CSA-B45.0 — CAN/CSA-B45.5



**FLORESTONE PRODUCTS CO., INC.**

2851 Falcon Dr. • Madera, CA 93637-9287

Tel: 559-661-4171 • Fax: 559-661-2070

[www.florestone.com](http://www.florestone.com)

**FLORESTONE**

**MODEL FMD**

**UTILITY SINK**

45 5/8" x 21 5/8" x 35 1/2"

Weight:

FMD (1/Box): 62 lbs.

Capacity: 38 gallons

**Architect's Specifications**

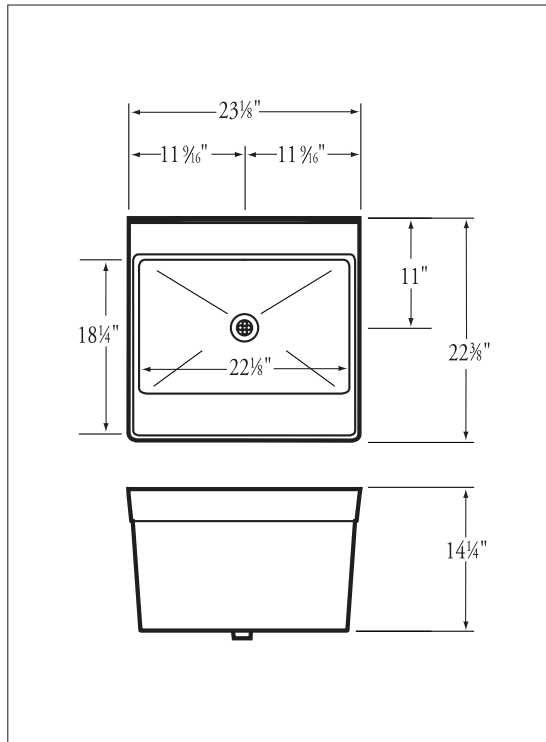
Furnish and install Utility Sink Model FMD as manufactured by Florestone Products Co. Unit to have two sinks, four heavy duty molded legs and the hardware to attach legs to the sinks. Color will be white and will be resistant to fading and abrasion. Unit to have 1½" drain opening.

**Options and Accessories**

FMD Accessory Kit

Drain Plugs with Hardware

Set of Legs (4) – Heavy duty molded legs



Inside Tray Dimensions: 18 $\frac{1}{4}$ " x 22 $\frac{1}{8}$ "

FLORESTONE  
MODEL WM  
UTILITY SINK

23 $\frac{1}{8}$ " x 22 $\frac{3}{8}$ " x 14 $\frac{1}{4}$ "

Weight:

WM-1 (1/Box): 30 lbs.

WM-3 (3/Box): 85 lbs.

Capacity: 20 gallons

**Architect's Specifications**

Furnish and install Utility Sink Model WM as manufactured by Florestone Products Co. Wall mounted unit to include wall mounting bracket and hardware. Color will be white and will be resistant to fading and abrasion. Unit will have 1 $\frac{1}{2}$ " drain opening.

**Options and Accessories**

WM Accessory Kit

Drain Plugs with Hardware

**Standards**



I.A.P.M.O. File No. 2647

ANSI-Z 124.6 -97



CSA Test • Warnock Hersey Listed:

CAN/CSA-B45.0 — CAN/CSA-B45.5



**FLORESTONE**

*Quality Shower and Bath Products Since 1947.*

**FLORESTONE PRODUCTS CO., INC.**

2851 Falcon Dr. • Madera, CA 93637-9287

Tel: 559-661-4171 • Fax: 559-661-2070

[www.florestone.com](http://www.florestone.com)

FLORESTONE

MODEL WMD

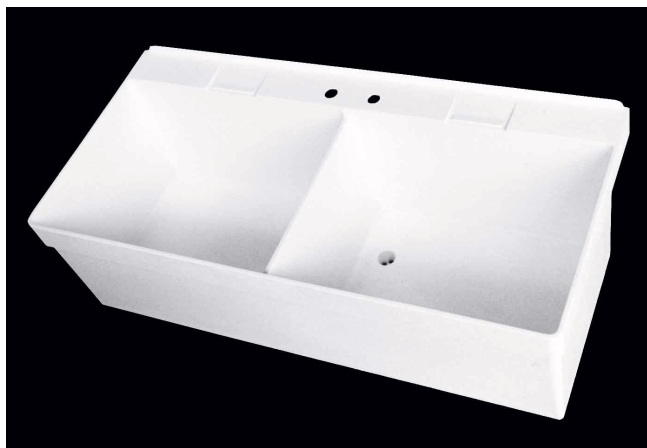
UTILITY SINK

45 $\frac{5}{8}$ " x 21 $\frac{5}{8}$ " x 13 $\frac{1}{2}$ "

Weight:

WMD (1/Box): 62 lbs.

Capacity: 38 gallons



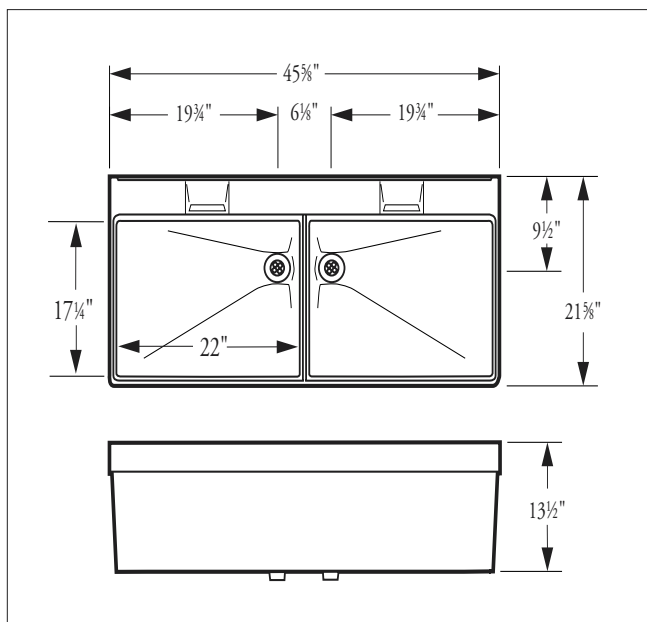
### Architect's Specifications

Furnish and install Utility Sink Model WMD as manufactured by Florestone Products Co. Unit to have two sinks, and come with wall mounting bracket and hardware. Color will be white and will be resistant to fading and abrasion. Unit will have 1 $\frac{1}{2}$ " drain opening.

### Options and Accessories

WMD Accessory Kit

Drain Plugs with Hardware



Inside Tray Dimensions: 17 $\frac{1}{4}$ " x 22"

### Standards



I.A.P.M.O. File No. 2647

ANSI-Z 124.6 -97



CSA Test • Warnock Hersey Listed:

CAN/CSA-B45.0 — CAN/CSA-B45.5



**FLORESTONE**

*Quality Shower and Bath Products Since 1947.*

**FLORESTONE PRODUCTS CO., INC.**

2851 Falcon Dr. • Madera, CA 93637-9287

Tel: 559-661-4171 • Fax: 559-661-2070

[www.florestone.com](http://www.florestone.com)



FLORESTONE  
MODEL 20FM  
UTILITY SINK

20" x 24" x 34<sup>7</sup>/<sub>8</sub>"

Weight:

20FM-1 (1/Box): 30 lbs.  
20FM-3 (3/Box): 85 lbs.

**Architect's Specifications**

Furnish and install Utility Sink Model 20FM as manufactured by Florestone Products Co. Unit to have four legs and come with hardware to attach legs to the sink. Color will be white and will be resistant to fading and abrasion. Unit to have 1<sup>1</sup>/<sub>2</sub>" drain opening.

**Options and Accessories**

20FM Accessory Kit  
Drain Plugs with Hardware  
Set of Legs (4) – Heavy duty molded legs

**Standards**



I.A.P.M.O. File No. 2647

ANSI-Z 124.6 -97



CSA Test • Warnock Hersey Listed:

CAN/CSA-B45.0 — CAN/CSA-B45.5



**FLORESTONE**

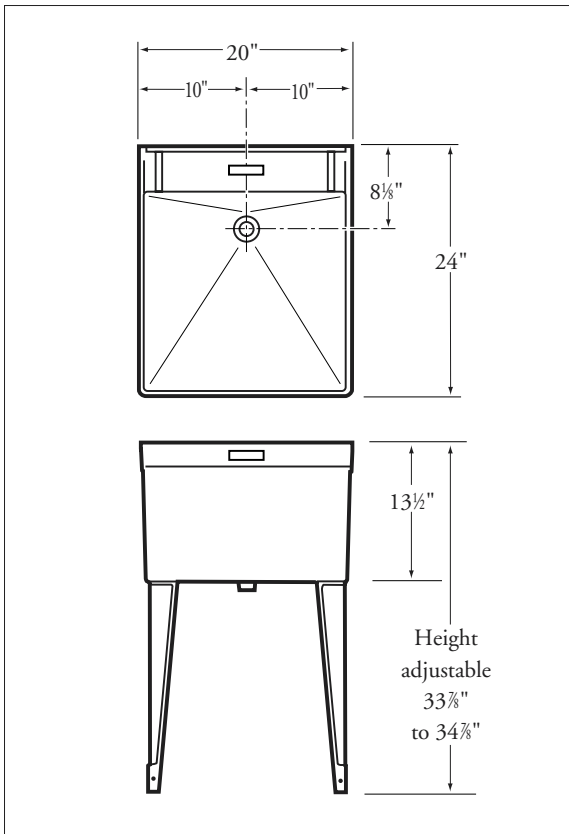
*Quality Shower and Bath Products Since 1947.*

**FLORESTONE PRODUCTS CO., INC.**

2851 Falcon Dr. • Madera, CA 93637-9287

Tel: 559-661-4171 • Fax: 559-661-2070

[www.florestone.com](http://www.florestone.com)



Inside Tray Dimensions: 20" x 19<sup>1</sup>/<sub>4</sub>"

FLORESTONE  
MODEL 20WM  
UTILITY SINK

20" x 24" x 13½"

Weight:

20WM-1 (1/Box): 30 lbs.

20WM-3 (3/Box): 85 lbs.

Capacity: 19 gallons



**Architect's Specifications**

Furnish and install Utility Sink Model 20WM as manufactured by Florestone Products Co. Wall mounted sink to include wall mounting bracket and hardware to attach unit to wall. Color will be white and will be resistant to fading and abrasion. Unit to have 1½" drain opening.

**Options and Accessories**

20WM Accessory Kit

Drain Plugs with Hardware

**Standards**



I.A.P.M.O. File No. 2647

ANSI-Z 124.6 -97



CSA Test • Warnock Hersey Listed:

CAN/CSA-B45.0 — CAN/CSA-B45.5

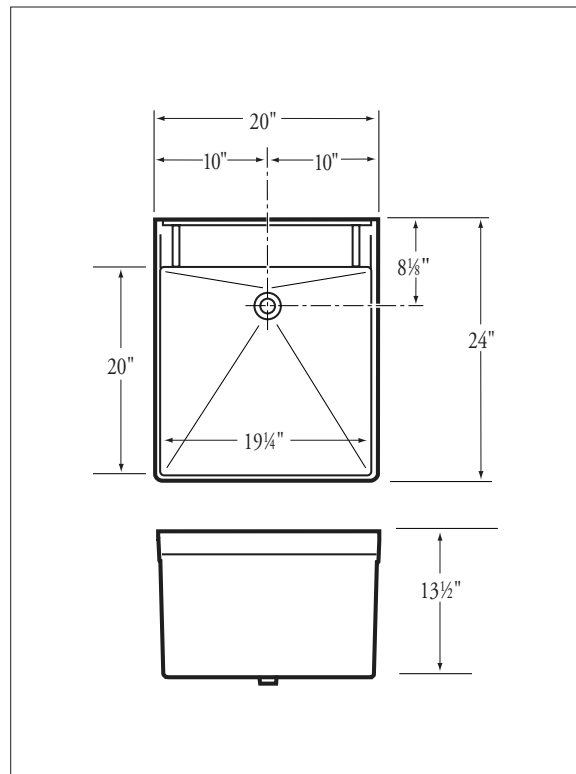


**FLORESTONE PRODUCTS CO., INC.**

2851 Falcon Dr. • Madera, CA 93637-9287

Tel: 559-661-4171 • Fax: 559-661-2070

[www.florestone.com](http://www.florestone.com)



Inside Tray Dimensions: 20" x 19¼"



FLORESTONE  
MODEL SC  
UTILITY SINK

23 $\frac{1}{8}$ " x 22 $\frac{3}{8}$ " x 34 $\frac{3}{4}$ "

Weight:

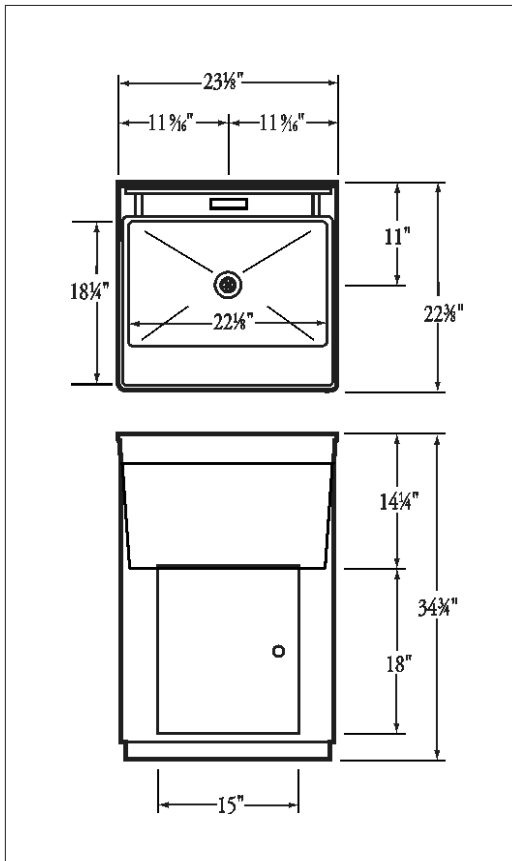
SC (1/Box): 65 lbs.

Capacity: 20 gallons

**Architect's Specifications**

Furnish and install Utility Sink Model SC as manufactured by Florestone Products Co. Unit to consist of utility sink and metal cabinet.

Door can be hinged for right hand or left hand opening. Color will be white and will be resistant to fading and abrasion. Unit will have 1 $\frac{1}{2}$ " drain opening.



Inside Tray Dimensions: 18 $\frac{1}{4}$ " x 22 $\frac{1}{8}$ "

MODEL SC

**Standards**



I.A.P.M.O. File No. 2647

ANSI-Z 124.6 -97



CSA Test • Warnock Hersey Listed:

CAN/CSA-B45.0 — CAN/CSA-B45.5



**FLORESTONE**

*Quality Shower and Bath Products Since 1947.*

**FLORESTONE PRODUCTS CO., INC.**

2851 Falcon Dr. • Madera, CA 93637-9287

Tel: 559-661-4171 • Fax: 559-661-2070

[www.florestone.com](http://www.florestone.com)

FLORESTONE

MODEL PT

POLY TRAY

UTILITY SINK

22¾" x 25¼" x 32"

Weight:

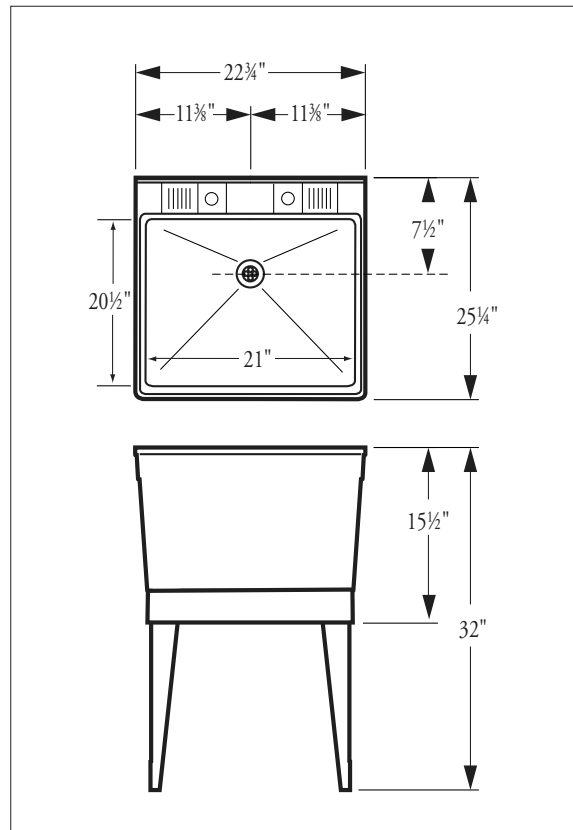
PT (6/Box): 59 lbs.

Capacity: 20 gallons

**Architect's Specifications**

Furnish and install Utility Sink Model PT as manufactured by Florestone Products Co.

Durable, lightweight polypropylene sink will come with four (4) molded legs. Unit will be easy to assemble and to install. Color will be white and will be resistant to fading and abrasion. Unit will have 1½" drain opening.



Inside Tray Dimensions: 20½" x 21"

**Standards**



I.A.P.M.O. File No. 2647

ANSI-Z 124.6 -97



CSA Test • Warnock Hersey Listed:

CAN/CSA-B45.0 — CAN/CSA-B45.5



**FLORESTONE**

Quality Shower and Bath Products Since 1947.

**FLORESTONE PRODUCTS CO., INC.**

2851 Falcon Dr. • Madera, CA 93637-9287

Tel: 559-661-4171 • Fax: 559-661-2070

www.florestone.com



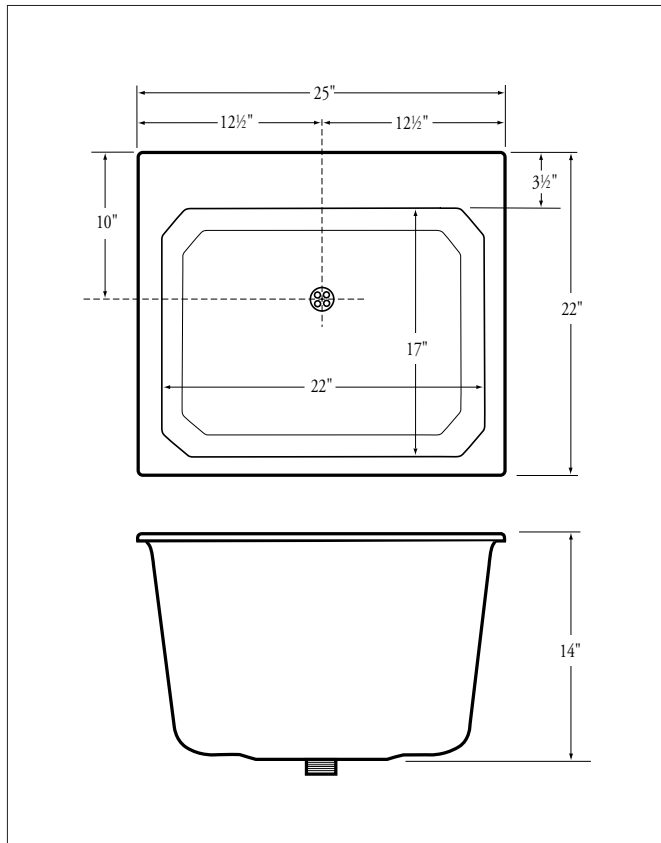
FLORESTONE  
 MODEL SR  
 SELF-RIMMING  
 UTILITY SINK

25" x 22" x 14"

Weight:

SR-1 (1/Box): 14 lbs.

SR-3 (3/Box): 38 lbs.



**Architect's Specifications**

Furnish and install Utility Sink Model SR as manufactured by Florestone Products Co. Unit to be self-rimming. Color will be white and will be resistant to fading and abrasion. Unit to have 1 1/2" drain opening.

**Standards**



I.A.P.M.O. File No. 2647

ANSI-Z 124.6 -97



CSA Test • Warnock Hersey Listed:

CAN/CSA-B45.0 — CAN/CSA-B45.5



**FLORESTONE**

*Quality Shower and Bath Products Since 1947.*

**FLORESTONE PRODUCTS CO., INC.**

2851 Falcon Dr. • Madera, CA 93637-9287

Tel: 559-661-4171 • Fax: 559-661-2070

[www.florestone.com](http://www.florestone.com)

MODEL SR

FLORESTONE

MODEL SR 17

UTILITY SINK

17" x 20" x 10<sup>3</sup>/<sub>4</sub>"

Weight:

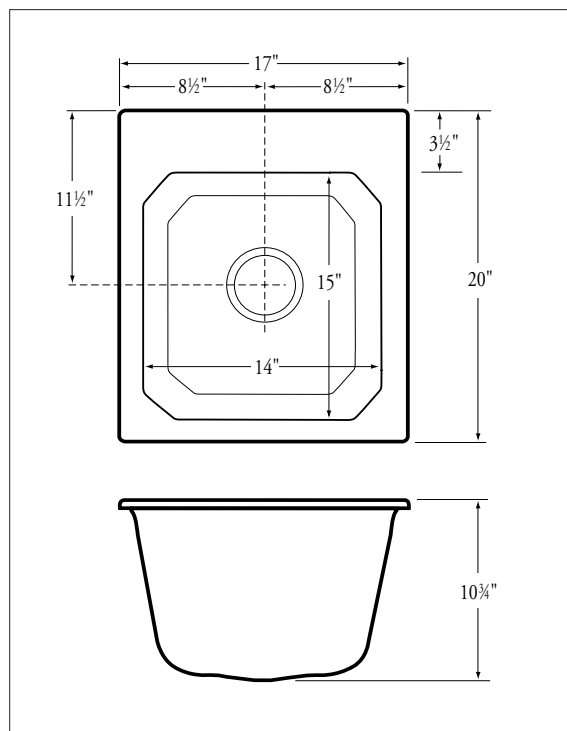
SR 17-1 (1/Box): 8 lbs.

SR 17-3 (3/Box): 27 lbs.

### Architect's Specifications

Furnish and install Utility Sink Model SR 17 as manufactured by Florestone Products Co. Unit will be self-rimming. Color will be white and will be resistant to fading and abrasion.

Unit to have 3<sup>1</sup>/<sub>2</sub>" drain opening.



### Standards



I.A.P.M.O. File No. 2647

ANSI-Z 124.6 -97



CSA Test • Warnock Hersey Listed:

CAN/CSA-B45.0 — CAN/CSA-B45.5



**FLORESTONE**

*Quality Shower and Bath Products Since 1947.*

**FLORESTONE PRODUCTS CO., INC.**

2851 Falcon Dr. • Madera, CA 93637-9287

Tel: 559-661-4171 • Fax: 559-661-2070

[www.florestone.com](http://www.florestone.com)