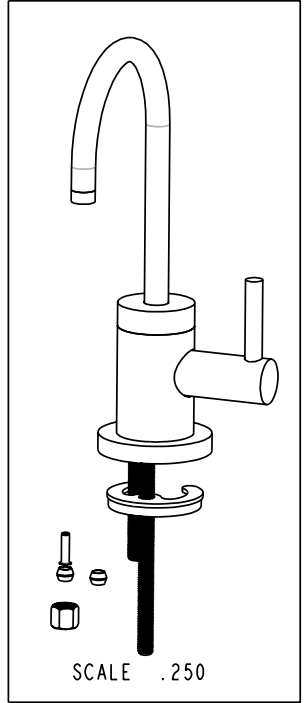
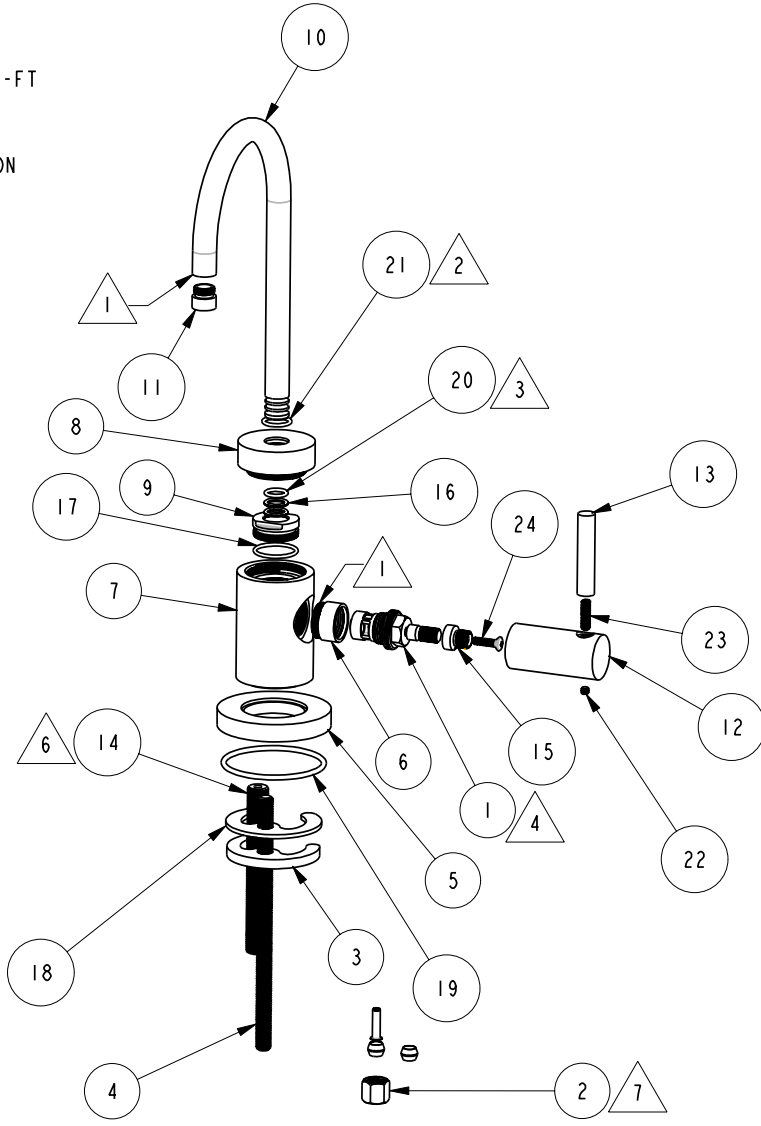


- 1 APPLY LOCTITE 680 OR EQUIVALENT
- 2 SLIT AND SHORTEN O-RING BY .13" TO .20" IN LENGTH BEFORE INSTALL
- 3 SLIT O-RING BEFORE INSTALL
- 4 INSTALLATION TORQUE: 11 -14 LB-FT
- 5 WATER TEST WHOLE UNIT
- 6 SEE DETAIL 'A' FOR INSTALLATION ORIENTATION
- 7 BAG 5-007 IN A SEPARATE BAG

BILL OF MATERIAL (CURRENT LEVEL)				
ITEM	PT/ASSY	DESCRIPTION	TYPE	QTY.
1	1-134	3/8 CARTRIDGE, HOT, 1/4 TURN	PART	1
2	5-007	1/4 COMP KIT	ASSEMBLY	1
3	10514	MOUNTING CRESENT	PART	1
4	10661	MOUNTING STUD	PART	1
5	10831	ESCUTCHEON (DECK SPOUT)	PART	1
6	50714	WATER DISP. CAR.T HOLDER	PART	1
7	50715	WATER DISP BODY (CONT.)	PART	1
8	50716	WATER DISP BODY CAP (CONT.)	PART	1
9	50717	WATER DISP SPOUT RETAINER	PART	1
10	50718	SPOUT, WATER DISP. (CONT.)	PART	1
11	50719	WATER DISP SPOUT SHELL (CONT.)	PART	1
12	50720	WATER DISP HANDLE (CONT.)	PART	1
13	50721	WATER DISP LEVER (CONT.)	PART	1
14	50760	NIPPLE WATER DISP	PART	1
15	50767	ADAPTER	PART	1
16	91017	O-RING #2-012	PART	2
17	91023	O-RING #2-019	PART	1
18	91063	GASKE RBR, MOUNTING CRESENT	PART	1
19	91231	O-RING 2-136	PART	1
20	91382	O-RING, TEFLON, #2-012	PART	1
21	91383	O-RING, TEFLON, #2-014	PART	1
22	92000	SCREW 8 - 32 X 1/8 SS	PART	1
23	92192	SET SCREW 10-32 X 5/8"	PART	1
24	92193	SCREW, OVAL PHILLIPS, M4, 16MM	PART	1



COPYRIGHT 2005 BRASSTECH, INC. THESE DRAWINGS AND THE DESIGNS DEPICTED HEREIN ARE THE PROPRIETARY PROPERTY OF BRASSTECH. ANY USE OR REPRODUCTION IS SUBJECT TO THE EXPRESS APPROVAL OF BRASSTECH. UNAUTHORIZED USE IS STRICTLY PROHIBITED. ALL RIGHTS RESERVED.

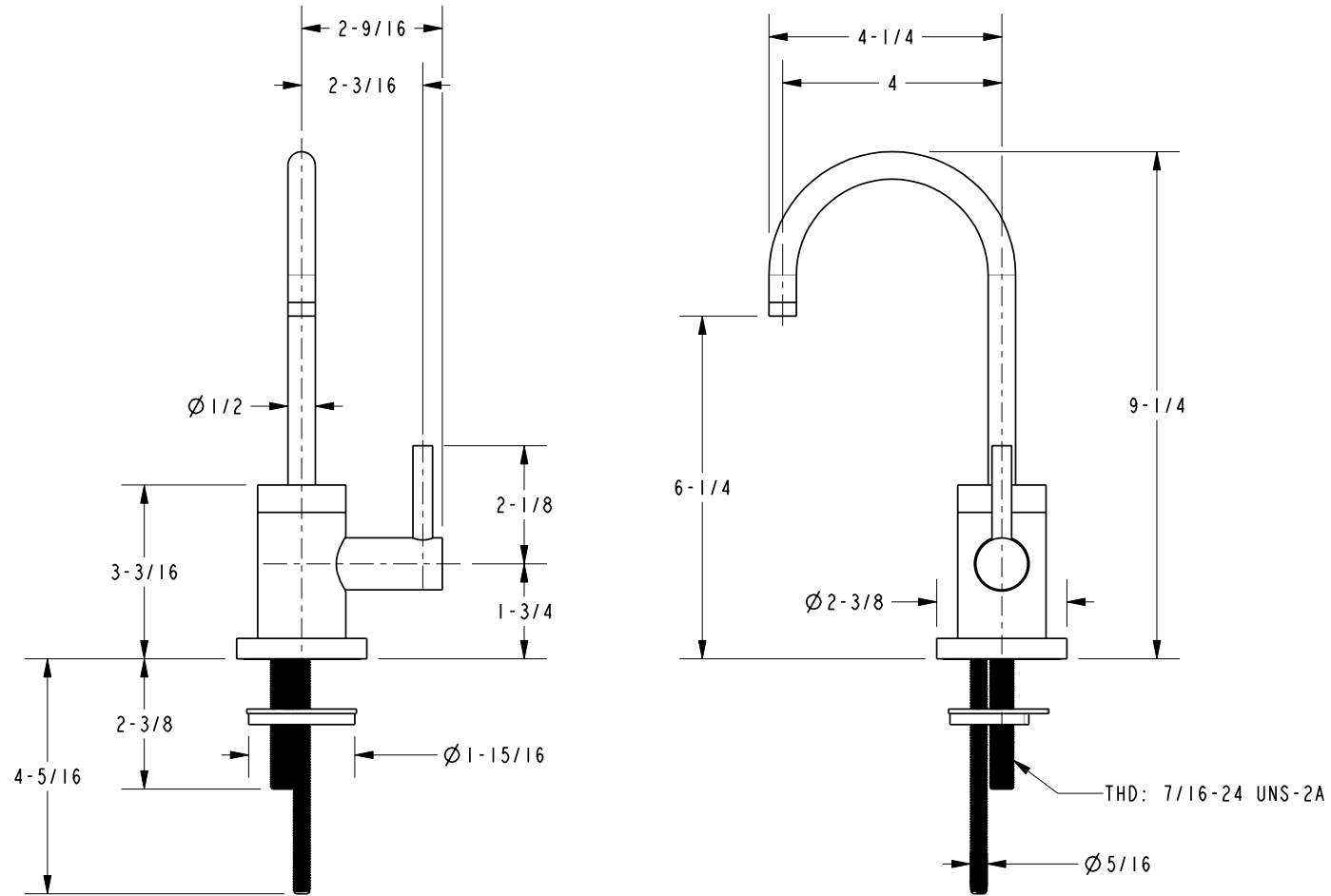
BRASSTECH INCORPORATED
 2001 E. CARNEGIE AVE.
 SANTA ANA, CA 92705
 (949) 417-5207

COLD WATER DISP, CONTEMP

ASSY. NO.	106C		
SCALE	.250	REF.	-
SHEET	1	OF	2
REV		REV DESC	
		DATE	

C	EO-0936	01/29/08
B	EO-0478	02/16/05
A	EO-0461	12/14/04
-	EO-0441	11/19/04

SPECIFICATION DWG



DIMENSIONS ARE IN INCHES AND AN APPROXIMATION OF A TYPICAL INSTALLATION

COPYRIGHT 2005 BRASSTECH, INC. THESE DRAWINGS AND THE DESIGNS DEPICTED HEREIN ARE THE PROPRIETARY PROPERTY OF BRASSTECH. ANY USE OR REPRODUCTION IS SUBJECT TO THE EXPRESS APPROVAL OF BRASSTECH. UNAUTHORIZED USE IS STRICTLY PROHIBITED. ALL RIGHTS RESERVED.

BRASSTECH		2001 E. CARNEGIE AVE.
INCORPORATED		SANTA ANA, CA 92705
		(949) 417-5207
DWG NO.	106C	REV C
SCALE .300	REF. -	SHEET 2 OF 2