

4

3

2

1

1 APPLY LOCTITE 680 OR EQUIVALENT

2 SLIT AND SHORTEN O-RING BY .13" TO .20" IN LENGTH BEFORE INSTALL

3 SLIT O-RING BEFORE INSTALL

4 USE TEFLON TAPE BETWEEN THESE TWO ITEMS

5 CONNECT WHITE AND RED TUBES TOGETHER AND WATER TEST WHOLE UNIT

6 BAG 5-035 IN A SEPERATE BAG

7 REWORK VALVE AS NECESSARY IF IT DOES NOT SELF-CLOSE DURING WATER TEST

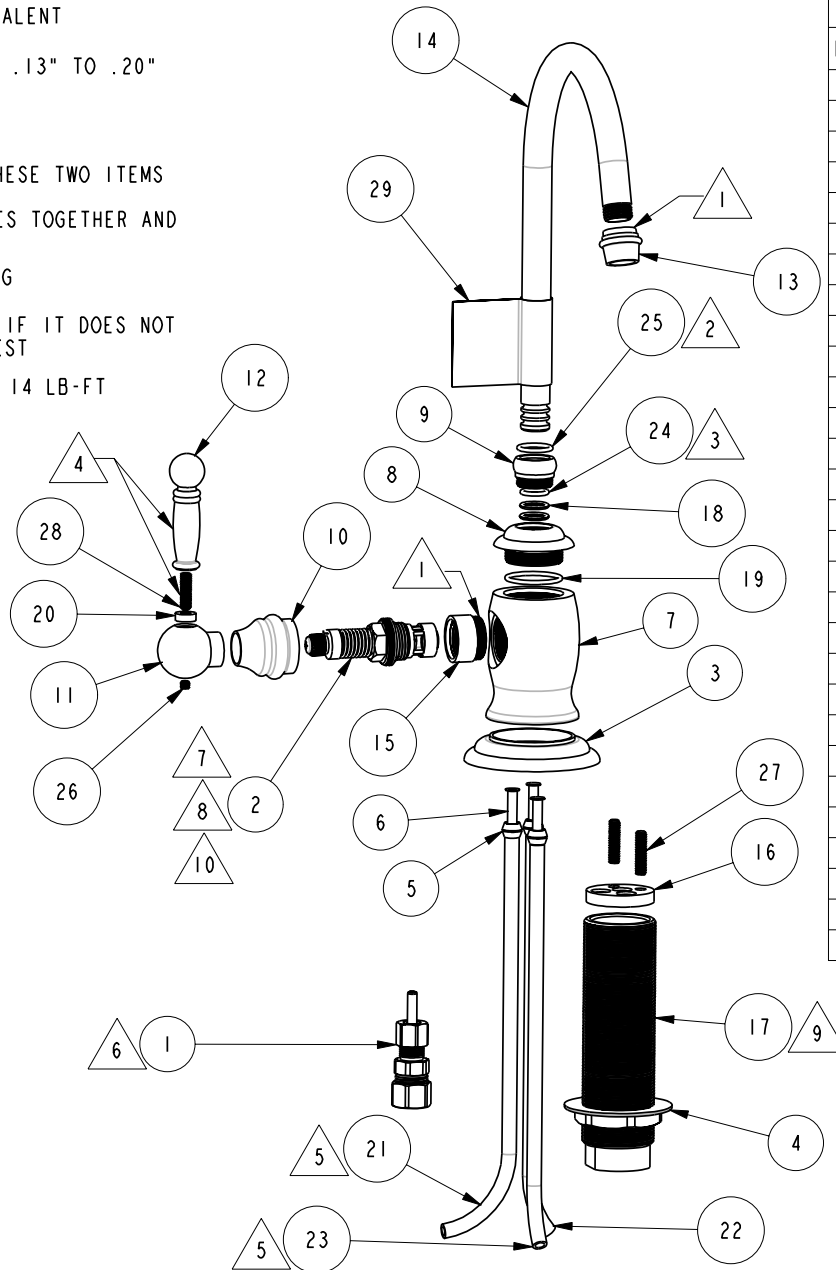
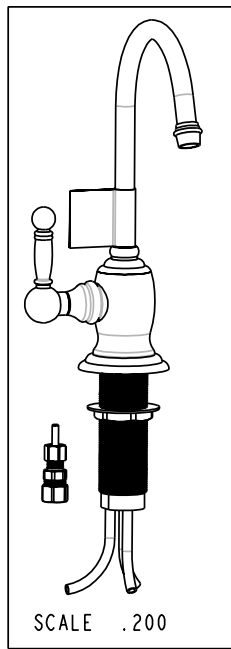
8 INSTALLATION TORQUE: 11 - 14 LB-FT

9 INSTALLATION TORQUE: 80 - 85 LB-FT

10 LUBRICATE SPRING WITH SILICONE LUBRICANT

BILL OF MATERIAL (CURRENT LEVEL)

ITEM	PT/ASSY	DESCRIPTION	TYPE	QTY.
1	5-035	COUPLING & INSERT ASM	ASSEMBLY	1
2	6-038	SELF CLOSED CARTRIDGE, LEFT HAND	ASSEMBLY	1
3	10117	ESCUTCHEON	PART	1
4	10174	NUT, QUICK CONNECT	PART	1
5	50067	COMPRESSION RING, 1/2	PART	3
6	50068	INSERT, HOSE	PART	3
7	50704	WATER DISP. BODY H (TRAD)	PART	1
8	50705	WATER DISP BODY CAP	PART	1
9	50706	WATER DISP SPOUT RET RING	PART	1
10	50708	WATER DISP HDL BONNET (TRAD)	PART	1
11	50709	WATER DISP LEVER HUB (TRAD)	PART	1
12	50711	LEVER HANDLE	PART	1
13	50712	WATER DISP SPOUT SHELL	PART	1
14	50713	SPOUT, WATER DISP. (TRAD.)	PART	1
15	50714	WATER DISP. CAR.T HOLDER	PART	1
16	50768	RETAINER PLATE	PART	1
17	50770	NIPPLE	PART	1
18	91017	O-RING #2-012	PART	2
19	91217	O-RING, (PARKER #2-020)	PART	1
20	91374	RED IDENTIFIER	PART	1
21	91376	TUBE, RED, .250 OD X 4 FT	PART	1
22	91377	TUBE, BLUE, .250 OD X 4 FT	PART	1
23	91378	TUBE, HIGH TEMP, .250 OD X 4 FT	PART	1
24	91382	O-RING, TEFLON, #2-012	PART	1
25	91383	O-RING, TEFLON, #2-014	PART	1
26	92000	SCREW 8 - 32 X 1/8 SS	PART	1
27	92016	SET SCREW 10-24 X 3/4"	PART	2
28	92192	SET SCREW 10-32 X 5/8"	PART	1
29	98-0025	TAG LABEL, HOT WATER WARNING	PART	1



COPYRIGHT 2005 BRASSTECH, INC. THESE DRAWINGS AND THE DESIGNS DEPICTED HEREIN ARE THE PROPRIETARY PROPERTY OF BRASSTECH. ANY USE OR REPRODUCTION IS SUBJECT TO THE EXPRESS APPROVAL OF BRASSTECH. UNAUTHORIZED USE IS STRICTLY PROHIBITED. ALL RIGHTS RESERVED.

BRASSTECH
INCORPORATED

2001 E. CARNEGIE AVE.
SANTA ANA, CA 92705
(949) 417-5207

HOT WATER DISP, LEVER TRAD

ASSY. NO.
107H

SCALE .300

REF. -

SHEET 1 OF 2

D	EO-0936	01/29/08
C	EO-0707	05/24/06
B	EO-0478	02/16/05
A	EO-0461	12/15/04
-	EO-0441	11/18/04
REV	REV DESC	DATE

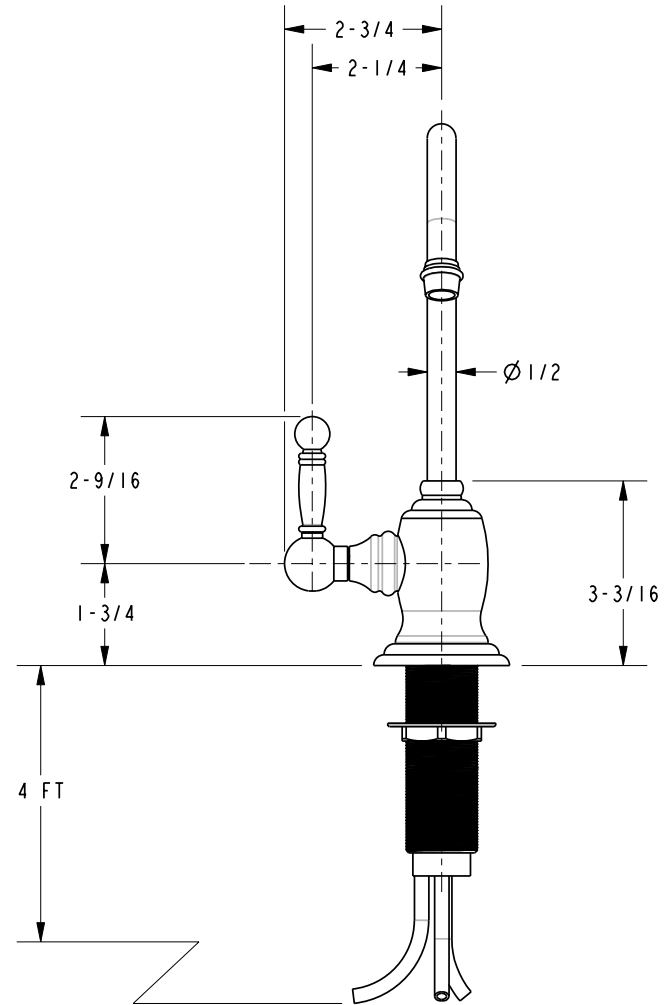
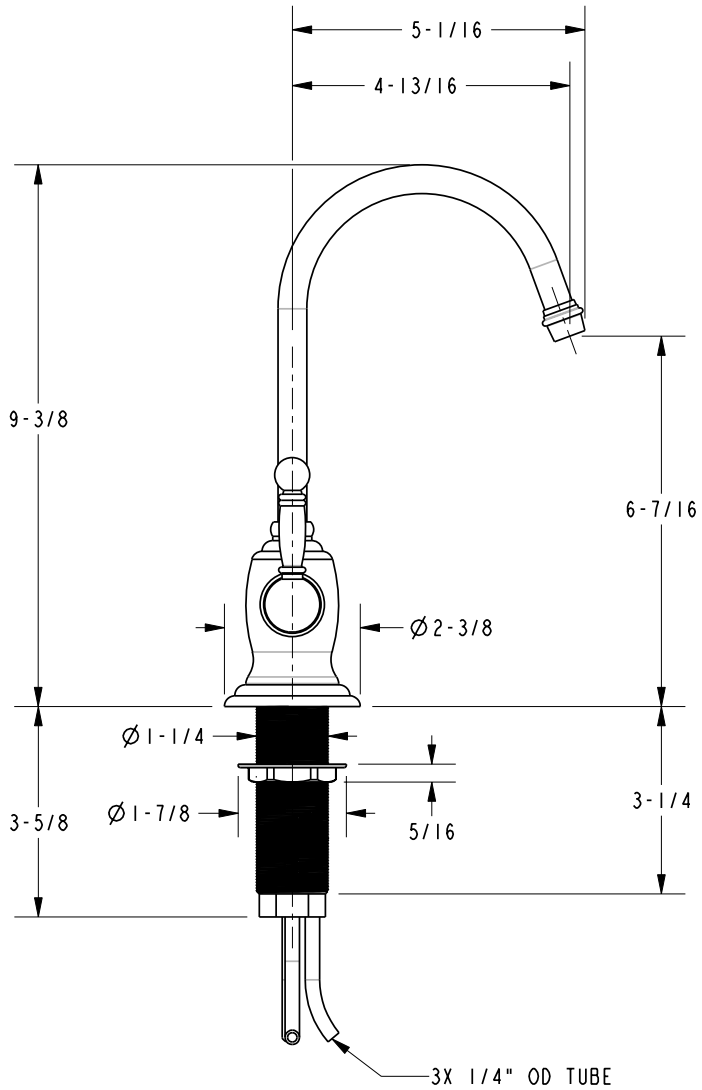
4

3

2

1

SPECIFICATION DWG



DIMENSIONS ARE IN INCHES AND AN APPROXIMATION OF A TYPICAL INSTALLATION

COPYRIGHT 2005 BRASSTECH, INC. THESE DRAWINGS AND THE DESIGNS DEPICTED HEREIN ARE THE PROPRIETARY PROPERTY OF BRASSTECH. ANY USE OR REPRODUCTION IS SUBJECT TO THE EXPRESS APPROVAL OF BRASSTECH. UNAUTHORIZED USE IS STRICTLY PROHIBITED. ALL RIGHTS RESERVED.

BRASSTECH		2001 E. CARNEGIE AVE. SANTA ANA, CA 92705 (949) 417-5207	
DWG NO. 107H		REV D	
SCALE .300	REF. -	SHEET 2 OF 2	